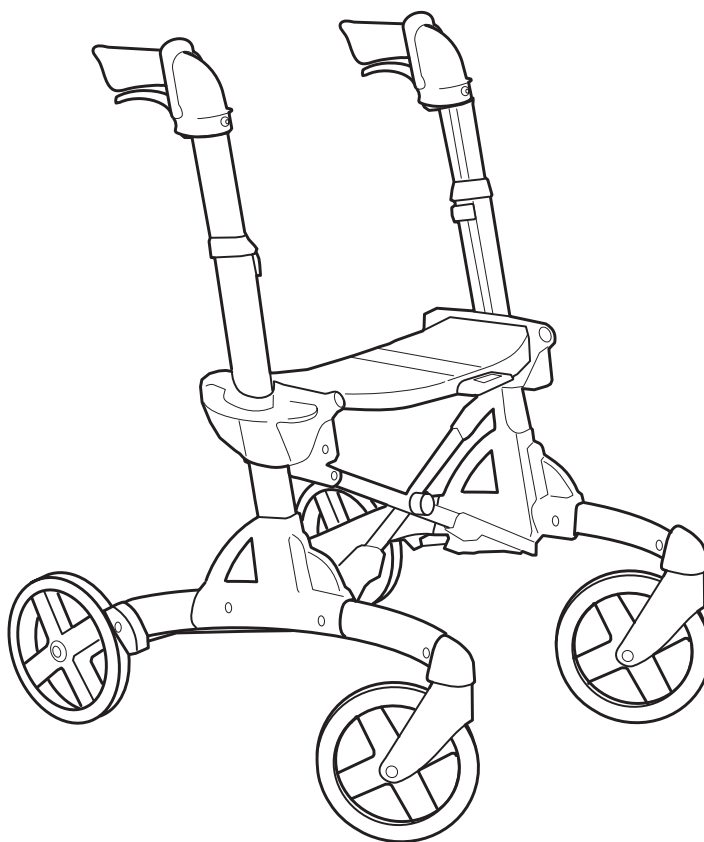


Eurovema

Creates mobility and ergonomics.

User Guide

Important, read before use!



VOLARIS

MINI

Congratulations on your new rollator!

We ask you to read carefully through this User Guide in order to familiarise yourself with your new rollator. Correct use and care will give you increased safety and ensure that your rollator enjoys a longer service life.

Volaris is a stable and easy to use rollator. It can easily be folded up in order to take up less space or to facilitate handling during transport.

The product can be complemented with a range of different accessories according to your personal requirements.

Volaris rollators are developed and manufactured in Sweden, ensuring best functionality and the highest level of quality.

Intended use Volaris MINI

The rollator provides support when moving and shall only be used as a walking aid for those with limited or impaired mobility. The product can be used both indoors and outdoors.

Its seat can be used for rest whilst the rollator is in a stationary position.

Volaris Mini is designed to be used by children and adults of restricted height.

Alterations or customisations beyond those described in this User Guide are not permitted.

Use limitations

The rollator must not be used by individuals who do not have the strength to walk or stand assisted by the rollator.

The product may not be used by individuals who exceed the maximum user weight of 80kg.

Standards

Volaris MINI rollators are compliant with Swedish standard SS-EN 11199-2:2021 (Assistive products for walking manipulated by both arms).

Volaris is CE-marked and is compliant with the requirements of the Medical Devices Ordinance MDR 2017/745.

Warranty

The warranty period is two (2) years and covers materials and manufacturing defects. In the case of wear parts, such as wheels, brake components and handles, the warranty is one (1) year. The warranty assumes that the product has been used as intended in accordance with this user guide.

Expected service life is seven (7) years, provided that the product has been used in accordance with our instructions and undergoes regular maintenance.

Contact

If you have any questions about the product and how to use it, contact your dealer or Technical Aid Centre.



Eurovema Mobility AB
Baldersvägen 38, SE-332 35 Gislaved, Sweden
Tel.: +46 (0)371 39 01 00
E-mail: info@eurovema.se Website: www.eurovema.se

Safety instructions



Warning! Be careful when using the rollator to avoid any personal injury.



Important! Read the instructions to avoid damaging the product.



Symbol indicating that the parking brake is applied.



Symbol indicating that the parking brake is released.



Warning! The rollator must be in park mode (the parking brake applied) when you sit or get up off the seat.



Warning! Never walk with the rollator whilst someone is sitting on the seat.



Important! The seat must be flat, i.e. at the same height on both sides, when the rollator is folded up.


Contents


Intended use	2	Brake adjustment	8
Warranty	2	Articulation brake adjustment	8
Standards	2	Maintenance:	
Contact	2	Cleaning	9
Safety rules	2	Reconditioning	9
Contents	3	Cable lubrication	9
Marking	3	Troubleshooting	9
Seat height adjustment	4	Accessories	10-13
Handle height adjustment	4	Technical data	16
Use tips - "comfort chassis"	5		
Learn the "scissors technique"	5		
Folding and unfolding the rollator	6		
Fixed transportation strap	6		
Braking	7		


Marking


XXX = Product name


XXXX-XX-X = Item number


 = Serial number

 = Manufacturer/Manufacturing date

 = CE-marking

 = Medical device

 = Read User Guide

 = Max. user weight

Label



Adjusting your rollator

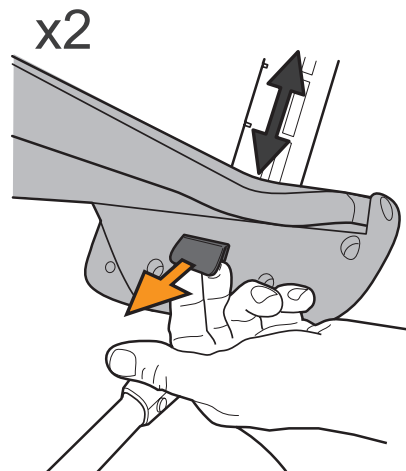
Seat height adjustment

Adjust one side at a time. Pull out the knob under the seat. At the same time, raise or lower the seat to the position required. Release the knob, ensuring that it locates properly to secure the seat in place. Do the same on the other side. Check carefully that the seat is level before using the rollator. Press down the centre section of the seat.



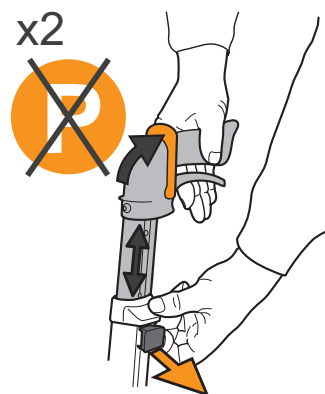
Warning!

Never walk with the rollator whilst someone is sitting on the seat.



Adjust handle height

Remove any profile clips (see page 9). Adjust the height of the handles by pulling out the knob and adjusting the height; see the setting heights on page 16. Make sure the parking brake lever is up, then adjust the height and check that the knob clicks back into place. After adjustment, check the brakes before using the rollator! Stand upright next to the rollator. The handles are set at the correct height when your hands are level with them. Once you have used the rollator for a while, you will know if you want to make any further adjustments. You should feel comfortable when you are walking with your Volaris. Mechanical stop for maximum handle height. Number of visible holes constitute marked height interval. The maximum height is also indicated by an orange mark.



Handle height

When you walk using the rollator, you should walk without bending forwards, keep the rollator close to your body, keep your back straight and look straight ahead.

Tips for use

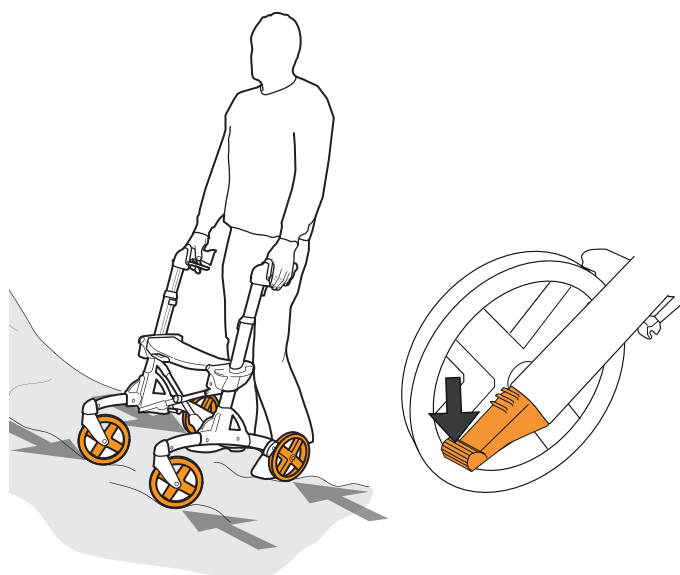
Comfort Frame

Volaris rollators are built with a Comfort Frame™, or “comfort chassis”, which means that it can pass smoothly over uneven surfaces. When you need to pass over larger obstacles or mount a pavement edge, use the tilt peddles located by the rear wheels for extra assistance. Press down one of the peddles whilst simultaneously lifting the rollator by the handles.



Warning!

When going over an obstacle, do not lift the rollator by the seat as this could cause it to fold!



Learn the "scissors technique"

Approach the obstruction at an angle. Apply the brake on one wheel. Tilt the rollator slightly backwards, so the front wheels lift up, swing the front wheels over the obstruction. It is easy once you have learned how!



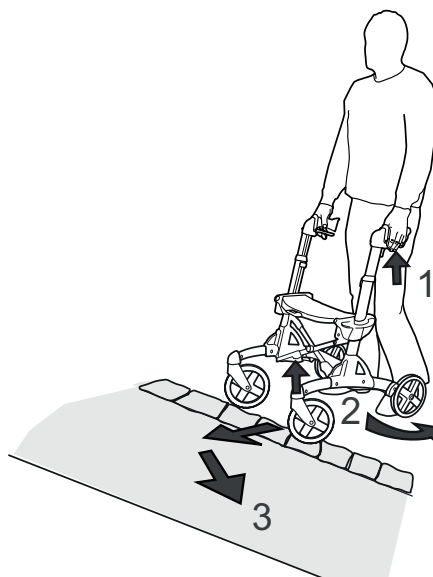
Warning!

The rollator must be in park mode (the parking brake applied) when you sit or get up off the seat.



Warning!

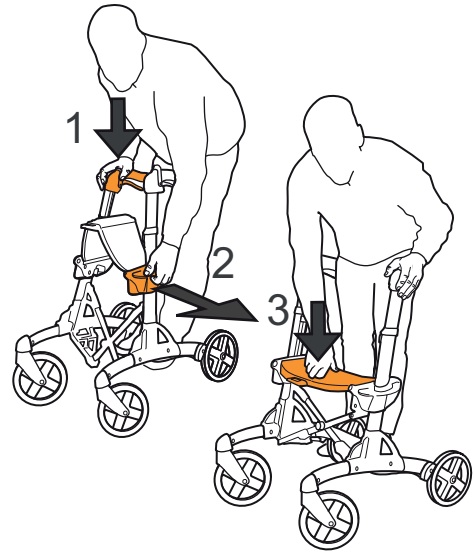
Never walk with the rollator whilst someone is sitting on the seat.



Unfolding and folding the rollator

Unfolding the rollator

1. Hold one of the push handles and tilt the rollator slightly to that side so the wheel on the opposite side lifts a few centimetres off the ground.
2. Unfold the rollator using the grey lifting handle on the opposite side. A spring helps to unfold the rollator.
3. Press the centre section of the seat down to lock the rollator.
4. If the rollator is equipped with a folding catch, pull the strap and press the centre section of the seat down to lock the rollator.



Folding the rollator

If there is a basket fitted, remove it.

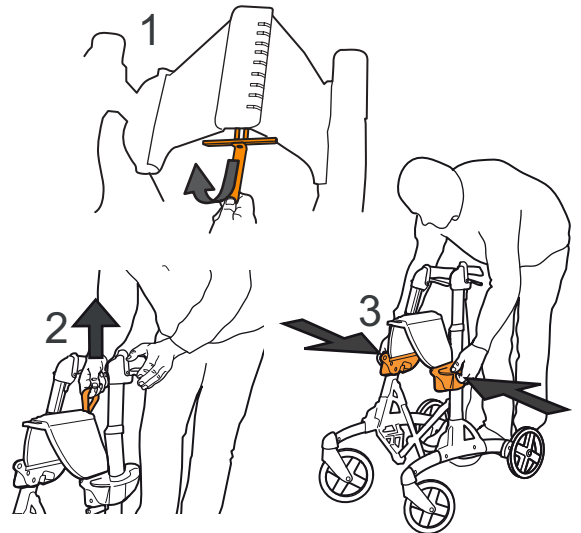
If a folding catch is installed, pull out the strap and then lift.

1. Pull the strap.
2. Lift the strap.
3. Press the Smart together using the side handles.



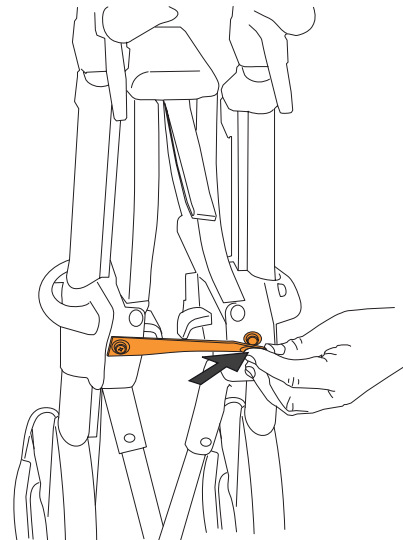
Important!

The seat must be flat, i.e. at the same height on both sides, when the rollator is folded up. See fig. no. 3



Fixed transport strap

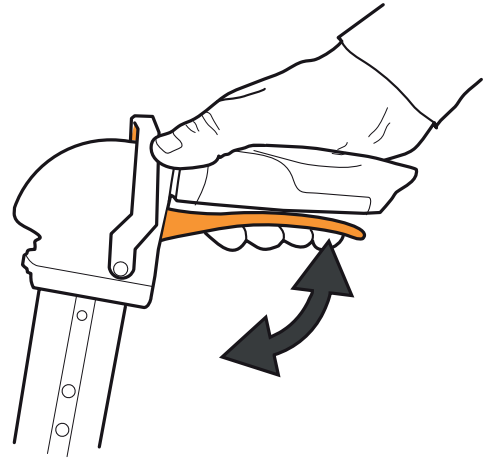
If the rollator is equipped with a fixed transport strap, the rollator must be folded up by securely pressing the transport strap to the button between the two seat height adjusters - this keeps the rollator folded. Release the button when you want to unfold the rollator.



Braking

Service brake

The foot brake is applied by pulling up the brake lever located under the handle.

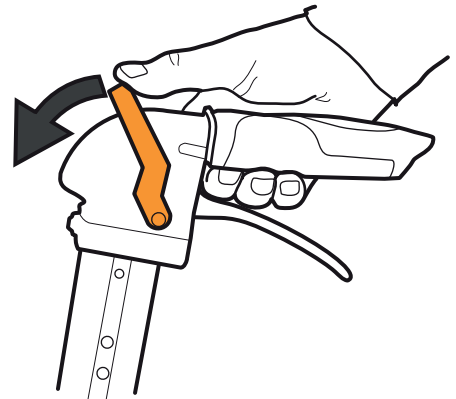


Parking brake

The parking brake is applied by pushing the brake lever forward until it is horizontal and points straight forwards.

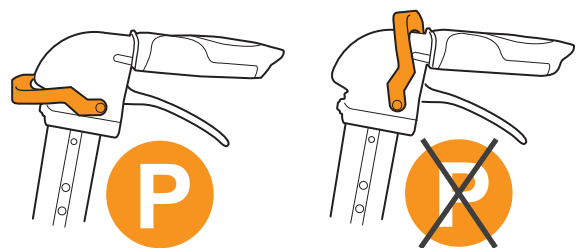
The parking brake must not be applied when the brake or the handle height are being adjusted.

The brake must be on when sitting on the seat.



Release the parking brake

The parking brake is released by moving the parking brake lever to the upright position until a click is heard.

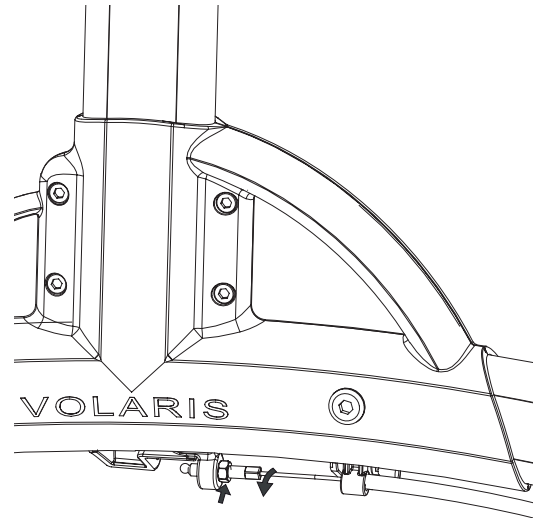


Adjust the brake for correct functionality

Braking effect can be set using the cable control located on the underside of the frame.

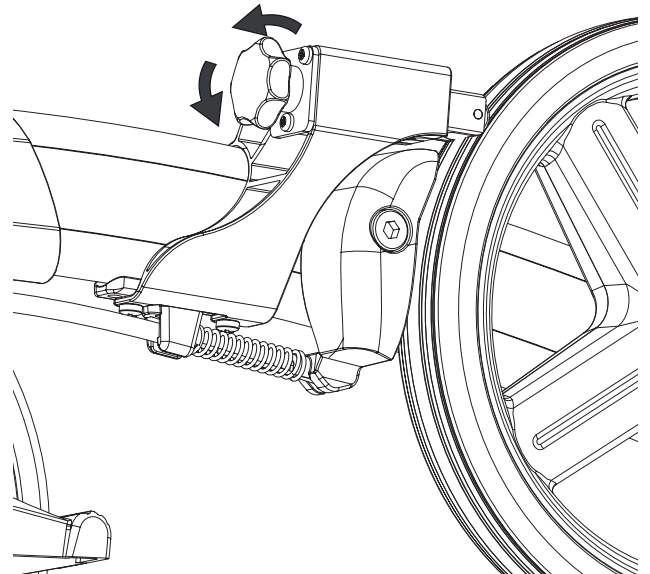
1. Release the parking brake.
2. Undo/loosen the nut using an 8mm spanner, and turn the threaded shaft.
3. Screw in the threaded shaft to increase the braking effect. Screw out the threaded shaft to decrease the braking effect.
4. Tighten the nut using a spanner.

The brake shoes should be set as close to the tread as possible without actually touching it. If the shoes are set too close, the parking brake will be unnecessarily difficult to apply.



Articulation brake

To adjust articulation brake effect, turn the knob.



Maintenance

Cleaning rollators

Look after your rollator, and your rollator will look after you.

Remove dirt using a wet cloth and a mild detergent. Ensure that dirt does not collect between the wheels and the brake shoes. You can rinse the rollator using a high-pressure washer or garden hose. Wipe dry after cleaning. Blow away any residual water using compressed air.

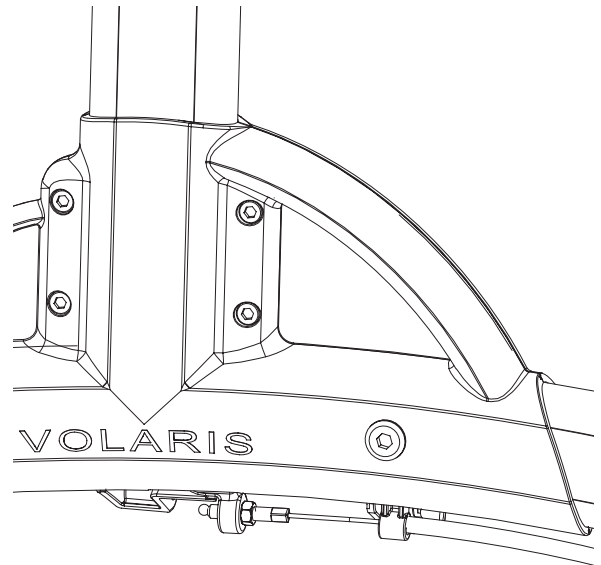


Reconditioning

Disengage the brakes when cleaning in a wash cabinet. The rollator must cool down to room temperature before it is used and adjusted.

Cable lubrication

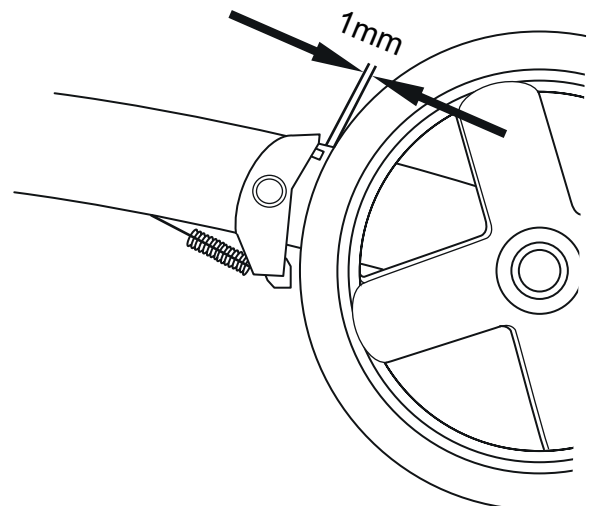
After cleaning, lubricate the brake cable under the frame by applying a few drops of oil to the cable.



Troubleshooting

If, during operation, the rollator pulls to one side, check that the wheels rotate equally easily, that the wheel forks turn easily, that the wheels and forks are securely in position, and that no dirt or foreign objects have got stuck between the wheels and brake shoes.

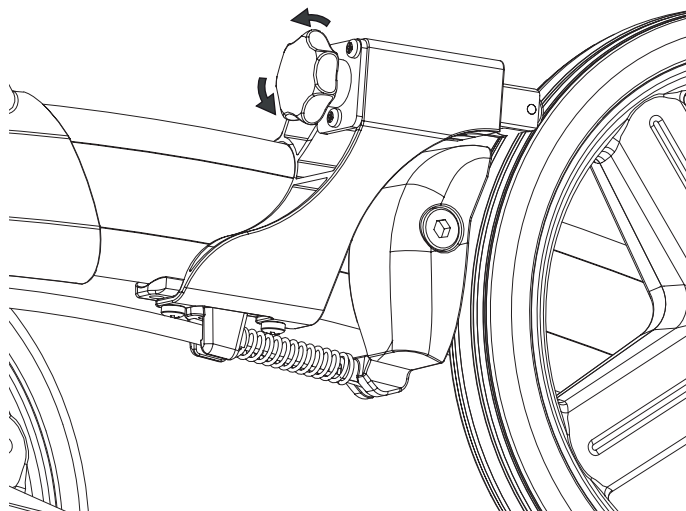
If the brake does not engage, or engages unevenly, check that the play between brake head and wheel is 1 mm on both sides. Make sure that the brake cables are firmly attached to the brake shoes under the frame, that the spring on the rear wheel brake shoe is intact, and that the brake shoes apply even pressure to the wheels on both sides when the rollator is under braking. Adjust the cable.



Accessories

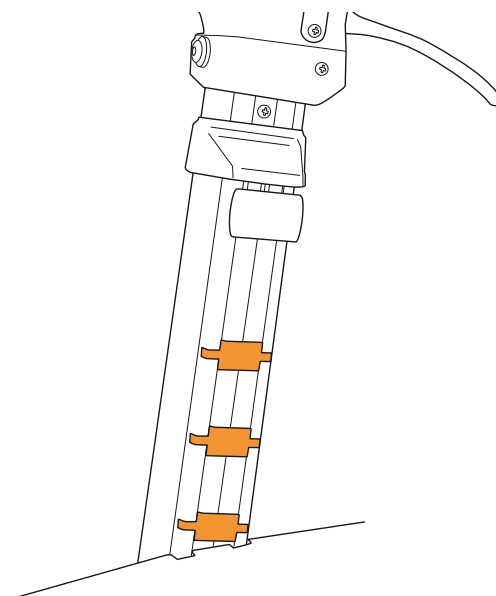
Articulation brake

A brake with adjustable, continuous friction.



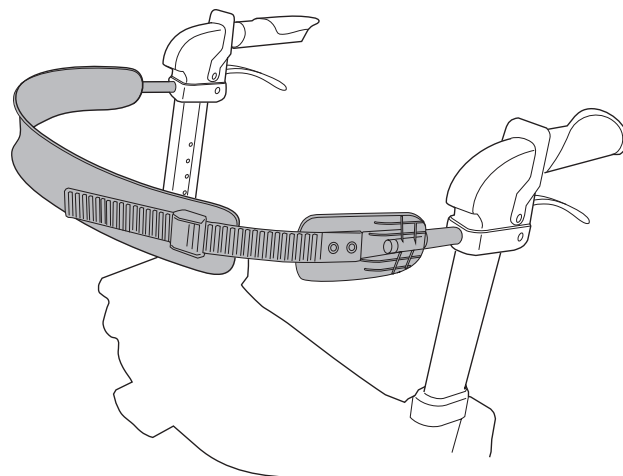
Profile clips

Profile clips are used to prevent anything getting caught in the openings. These are included with the product and should sit in all visible notches. Both above and below the seat.



Back support/Adjustable back support

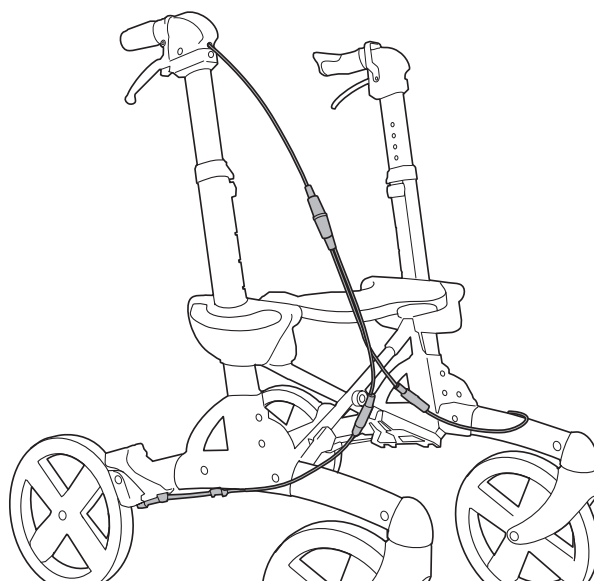
Stable support for your back; can help make you feel more secure.
Attached with two bolts to the existing fittings.



Accessories

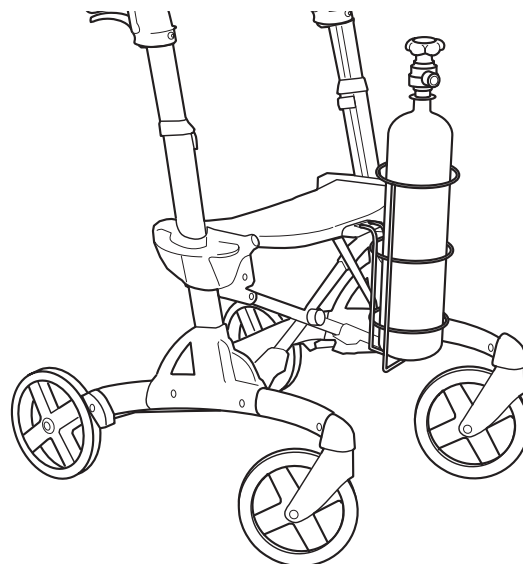
Single-handed brake

Locks both of the rear wheels and is applied by either the service brake or the parking brake.



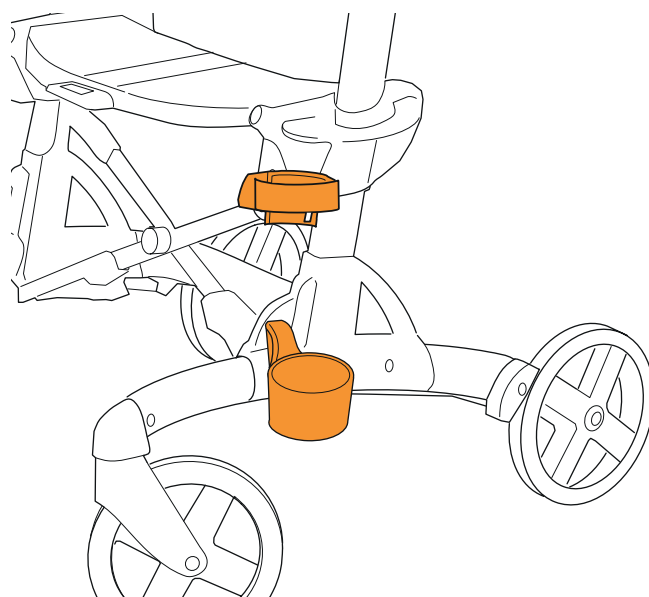
Oxygen tank holder

Strong steel basket that hooks onto the seat and accompanying bracket. Easy to remove.



Walking stick holder

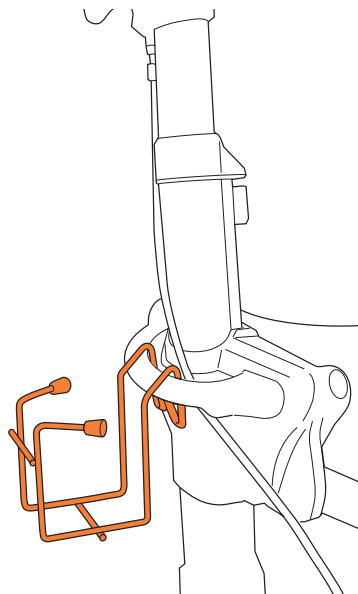
Two pieces that are firmly screwed in place. Holds a walking stick, crutch, or umbrella in place.



Accessories

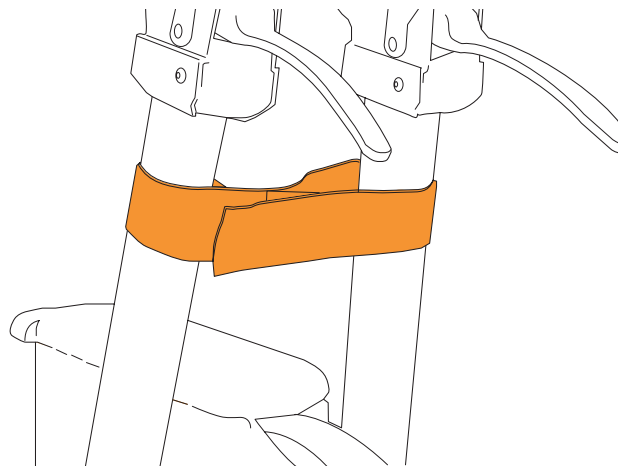
Bottle holder

Holder in plastic covered wire for a bottle/can. Holds a 0.5 litre bottle or 33 cl can. Hangs on the handle. Maximum load: 0.6 kg.



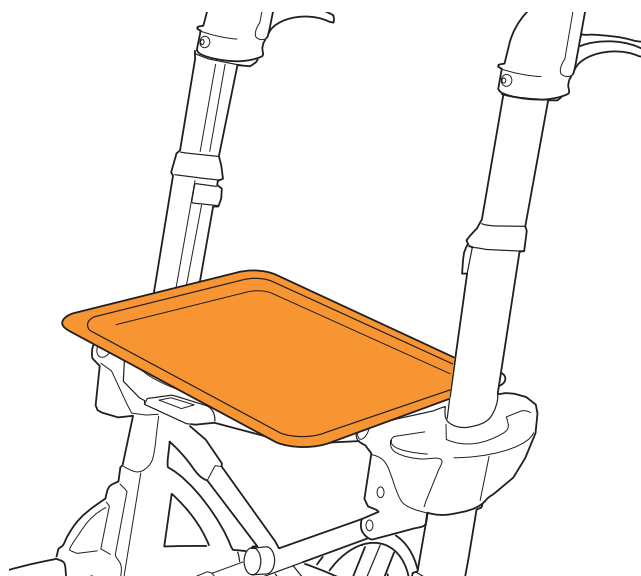
Transport strap

The transport strap is attached around the rollator handle to keep the rollator in folded position. Easy to fit.



Tray

Tray which fits over the rollator seat.



Accessories

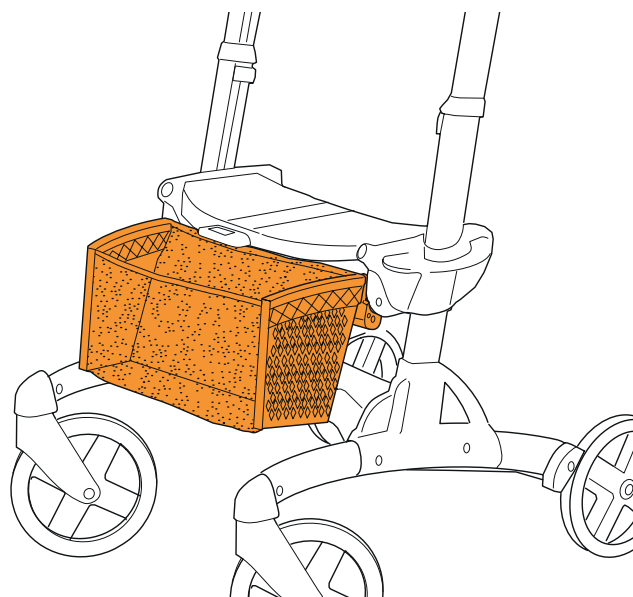
Fabric basket

Basket made from nylon mesh suspended from two plastic ends.

The basket is compatible with all Volaris models.

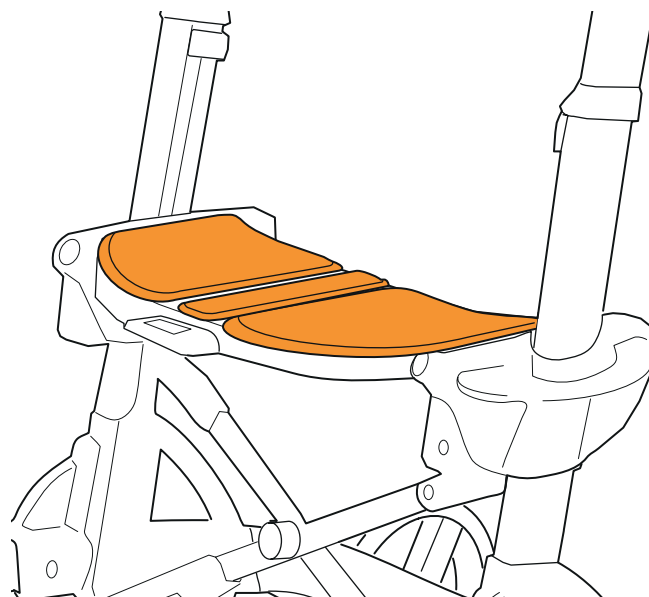
It can be left in place when the rollator is folded.

Easy to fit and remove. Maximum load: 5 kg.



Soft seat

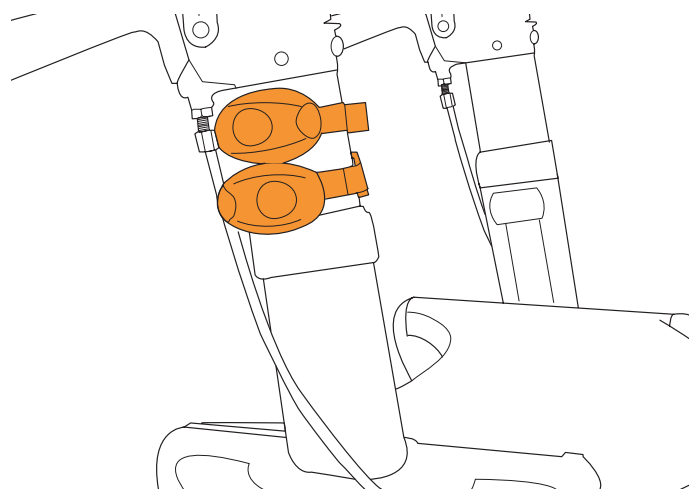
Three-section foam cushion that makes the seat softer and warmer. Can be left in place when the rollator is folded.



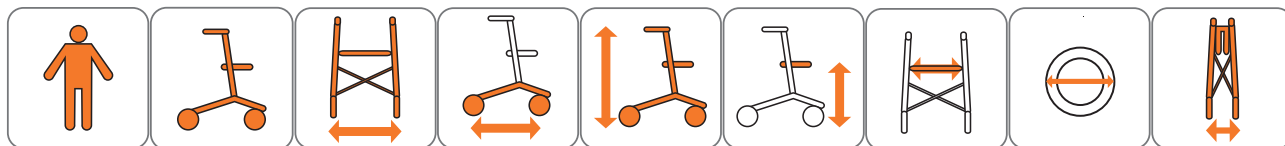
Lights

These are fastened to the upright using Velcro.

Red to the rear, white to the front. Battery-powered unit that is easy to turn on and change battery.



Technical data



Mini	80 kg	6.8 kg	53 cm	74 cm	68-84 cm	42 cm	36 cm	200x32 mm	27 cm
Mini Low	80 kg	7.0 kg	53 cm	74 cm	63-75 cm	43-47 cm	36 cm	200x32 mm	27 cm

Accessories

	MINI
Articulation brake	x
Lights	x
Back support strap	x
Adjustable back support strap	x
Oxygen tank holder	x
Walking stick holder	x
Bottle holder	x
Transport strap	x
Tray	x
Fabric basket	x
Soft seat	x
Single hand brake	x

Eurovema

Baldersvägen 38 | SE-332 35 Gislaved | Sweden
 Tel. +46 (0)371 390 100 | www.eurovema.se | info@eurovema.se