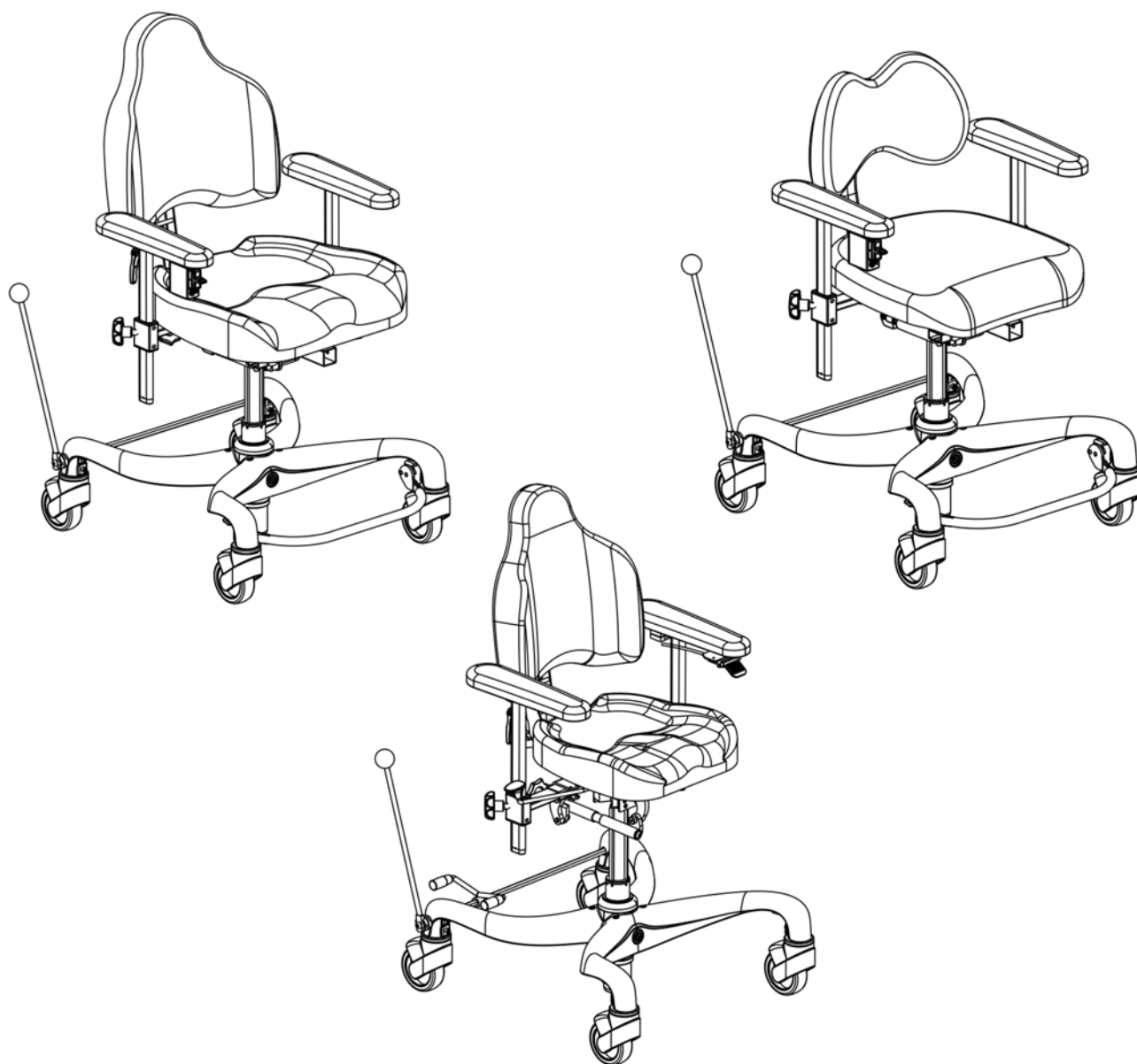


User Manual, English

---

**EUROFLEX<sup>®</sup>**

Work chair



*Eurovema*

# CONTENTS

Introduction.....	3
Assembly.....	3
User information .....	3
Safety instructions.....	3
Service/Guarantee .....	4
Cleaning .....	4
Function.....	4
Storage.....	4
Label .....	5
CE marking.....	5
Overview .....	6
Overview .....	7
Seat tilt .....	8
Back support – height multi-back .....	9
Back support – angle/multi-back .....	10
Back support – seat depth.....	11
Armrest – settings.....	12
Parking/brake.....	13
Footrest .....	14
Foot ring .....	15
Rotation.....	15
Seat – Accessories .....	16
Cover.....	16
Coxitsits.....	16
Charging the battery.....	17
Technical information.....	18

If you have any questions or if you need help with your product, please contact your local supplier first (Technical Aid Centre).



**Eurovema Mobility AB**  
Baldersvägen 38  
SE-332 35 Gislaved  
Sverige/Sweden/Schweden  
Tel/Phone: +46,371,390,100

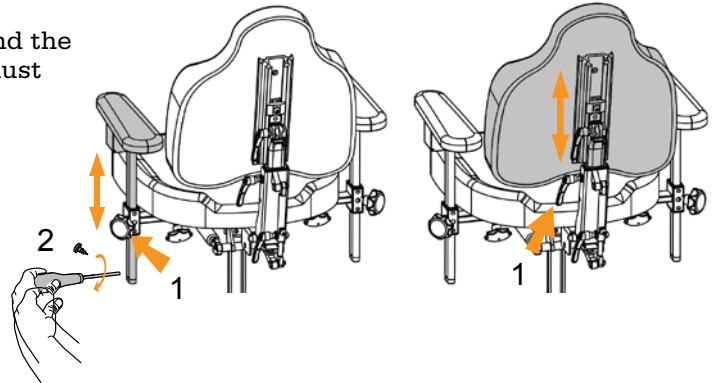
[www.eurovema.se](http://www.eurovema.se)  
[info@eurovema.se](mailto:info@eurovema.se)

## INTRODUCTION

We congratulate you on your choice of work chair! We hope you will be pleased with this Euroflex product from Eurovema, designed and built in Gislaved, Sweden. The work chair is designed to satisfy very high demands for ergonomics, sitting comfort and function. The chair has many options for adjustment enabling it to be adapted to every need. Read the user manual carefully so you can make use of all the options provided by your chair.

## ASSEMBLY

- Open the packaging and check that no damage has occurred during transit.
- The work chair is supplied with the back support and folding armrests not fitted!
- The armrests are equipped with stop screws, and the back support features end position stops that must be pressed in during assembly and disassembly to prevent them from releasing when adjusting the back rest to its end position.
- Fit the armrests and back supports as shown in the illustration and tighten the knob (1).
- Fit the enclosed screw (2).



## USER INFORMATION

- The work chair is classified as a class 1 medical device.
- The product is intended to be used by people who require assistance to move or carry out activities whilst seated and need support to get out of a chair.
- The product is only intended for indoor use.
- There are no known contraindications.
- Maximum user weight: (80-140 kg) depending on seat system.
- To adapt the chair to heavier users, please contact Eurovema.
- When used in accordance with this User Manual, the expected service life of the product is ten (10) years.



This symbol warns where there is a risk of crushing and for situations where we point out risks.

## SAFETY INSTRUCTIONS

- Read the user manual carefully before using the chair.
- The work chair is intended to be used on a level surface in a normal indoor climate.
- Take care when adjusting the manual seat angle while sitting in the chair as there is a risk you could fall out of the chair.
- If damage or changes in the chair's function are discovered, the service organisation (technical aid supplier) must be contacted immediately.
- If the chair is used a lot, it should be sent regularly to the service organisation for inspection.
- Make sure you tighten the screws, knobs and controls properly after making adjustments.
- Pay attention to screws or parts that become loose or fit loosely on the work chair seat, as this may affect safety; contact the service organisation.
- Service and maintenance and other technical measures are only permitted to be performed by personnel authorised by Eurovema.
- Only use original parts from Eurovema during repairs.
- The chair must not be equipped with any other accessories or components than those approved by Eurovema.
- Do not exceed the stated maximum user weight for the chair.
- Check that the stop screws are fitted by the fastenings for the armrests and back. This is to prevent the armrests or back from coming loose when adjusting the end position. Requirements according to standard SS-EN1335.



Chairs with adjustable seat tilt must be in the fixed position when getting in or out of the chair.

## SERVICE/GUARANTEE

If the work chair is used a lot, i.e. every day, it should be sent to service for inspection once a year. This is to check that the function and safety of the work chair seat is maintained for the duration of its service life. Expected service life is 10 years if used in accordance with our instructions, stipulated maintenance intervals, and correct use. If your chair requires servicing, please contact your local Technical Aid Centre.

We give a 4-year guarantee on the metal structures in our products, a 2-year guarantee on other parts except upholstery, wheels, and batteries, which come with a 1-year guarantee. Normal wear and tear is not covered by the guarantee. We recommend our customers to use the product in accordance with the user manual.

In the event of faults or servicing of the product, please contact an authorised workshop or Eurovema. Eurovema reserves the right to make changes.

## CLEANING

Wipe the surface of the work chair with a damp cloth and a mild detergent such as washing-up liquid. Place the chair on a level surface to dry. The seat's fabric can be cleaned using commercially available fabric cleaners. Loose covers can be machine washed at 60°. Clean the chassis using a damp cloth and weak cleaning agent, e.g. soap solution

## FUNCTION

If loose screws or loose parts are discovered in any part of the chair, this must be remedied immediately because it may affect safety. Contact your local Technical Aid Centre or the manufacturer for help and questions. Always take care to tighten knobs and screws after making seat adjustments.



**Important!** For chair models feature electric brakes, electric seat tilt, and electric back support tilt, it is particularly important that the battery is charged on a daily basis in order to ensure that the user can safely get in and out of the chair.

## STORAGE

The work chair must be stored in a dry environment at room temperature. Keep the chair away from high temperatures, intense cold, and strong sunlight. Metal surfaces can become very hot if exposed to sunlight.

In instances of intense cold, allow the chair to come to room temperature before use. In addition, the chair must not be exposed to water, other liquids or chemicals.

# LABEL

All the important technical information can be found on the work chair's label.

- 1) Product name
- 2) Part number
- 3) Serial number (UDI-PI)
- 4) Barcode
- 5) Max. user weight
- 6) Medical device
- 7) CE marking
- 8) Read the manual before use
- 9) Manufacturing date
- 10) Manufacturer's name



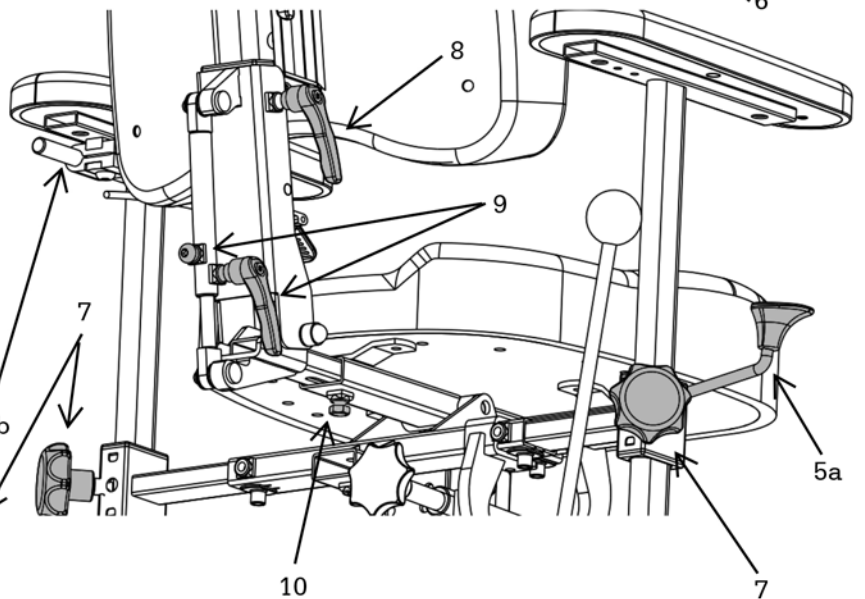
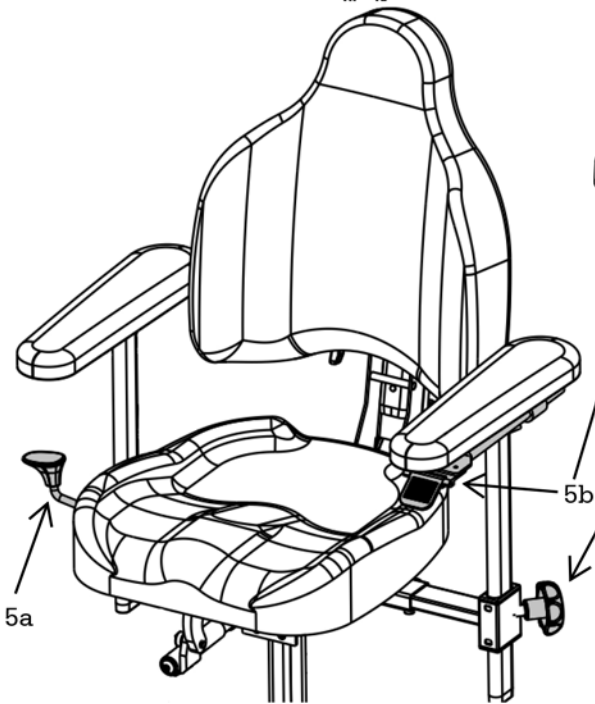
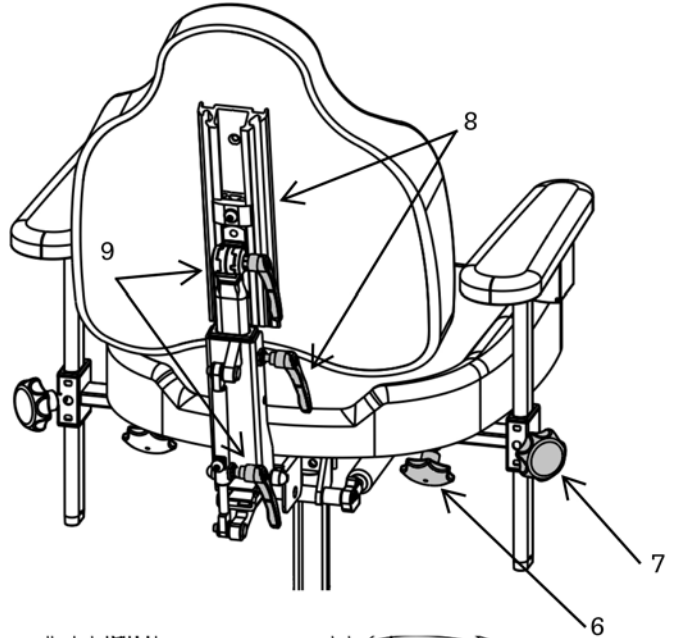
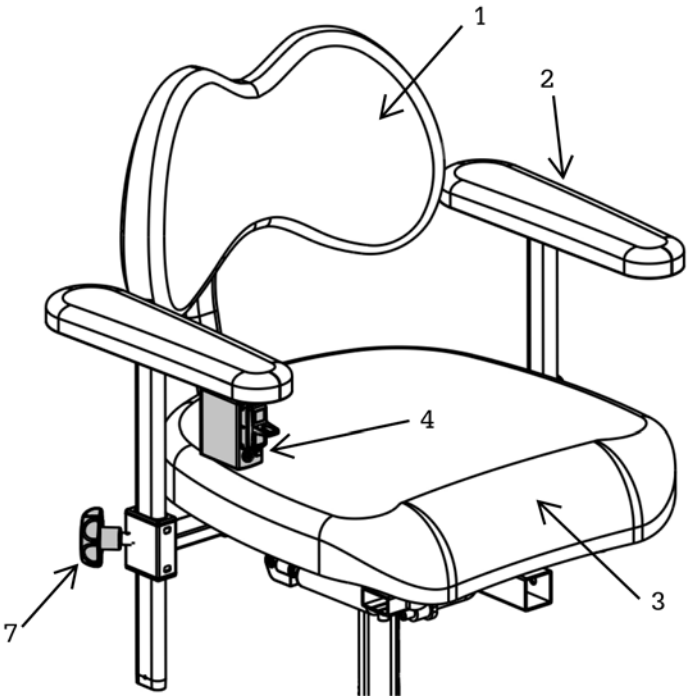
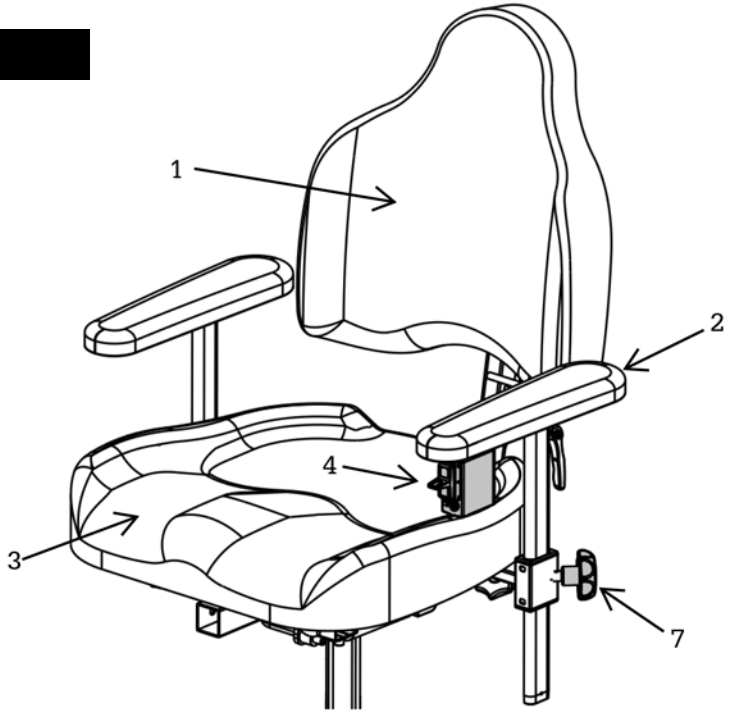
# CE MARKING



The product is CE-marked in accordance with the Medical Devices Regulation (MDR 2017/745) of the European Parliament. The CE mark can be found on the label. The product is compliant with the requirements of standards EN1335-1, -2, -3, EN60601-1, and EN60601-1-2.

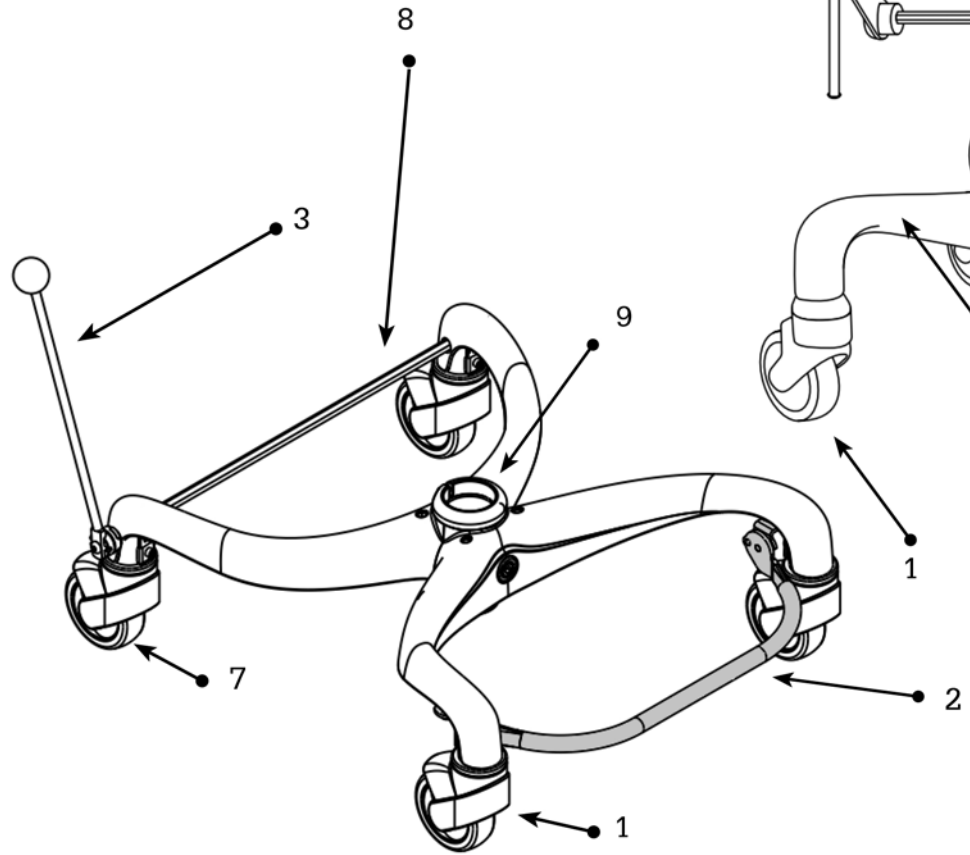
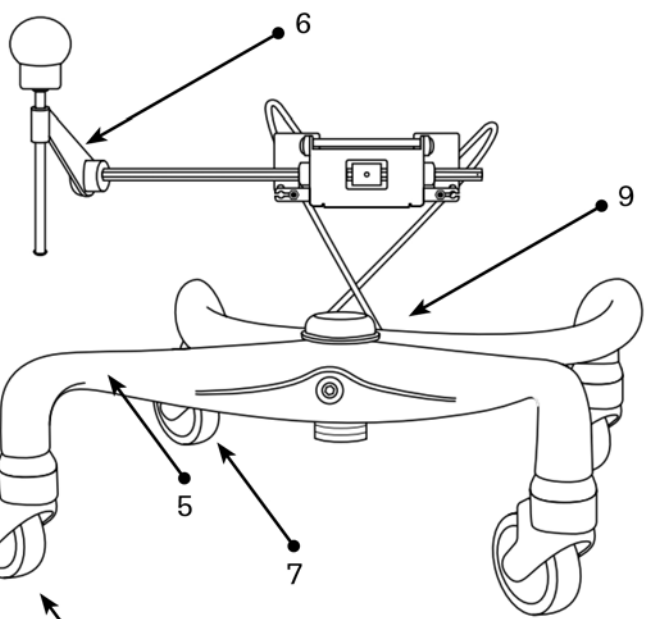
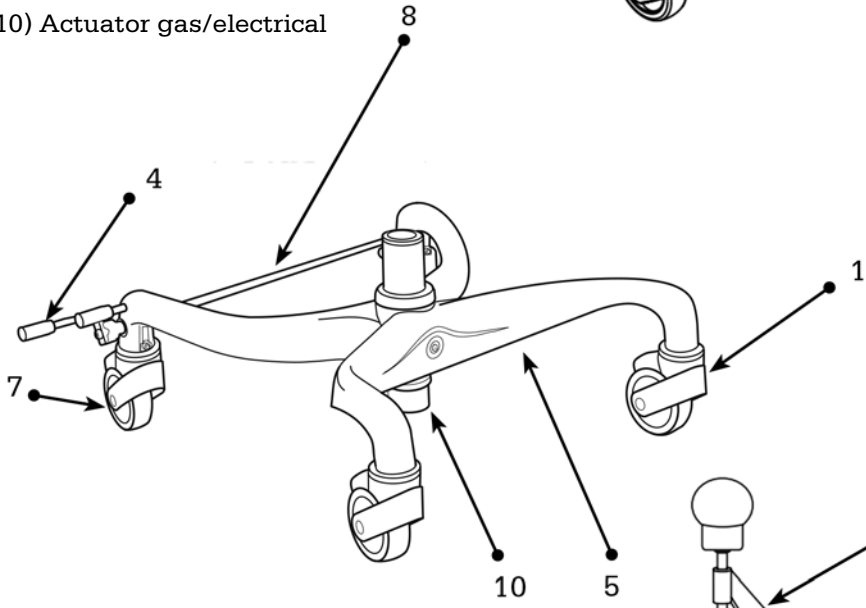
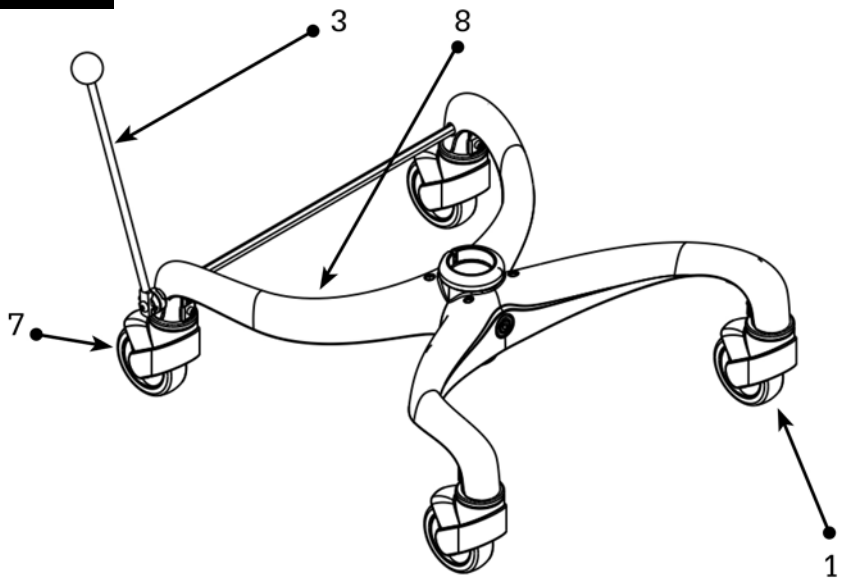
# OVERVIEW

- 1) Back support
- 2) Armrests
- 3) Seat
- 4) Height adjustment, seat, Electrical
- 5) Height adjustment, seat, Gas
  - a) Under seat
  - b) Under armrest
- 6) Width adjustment, armrest
- 7) Height adjustment, armrest
- 8) Height adjustment, back support
- 9) Adjustment of back angle
- 10) Adjustment of seat depth



# OVERVIEW

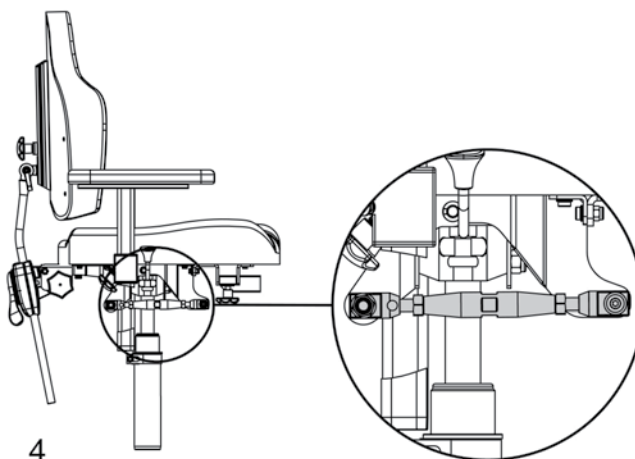
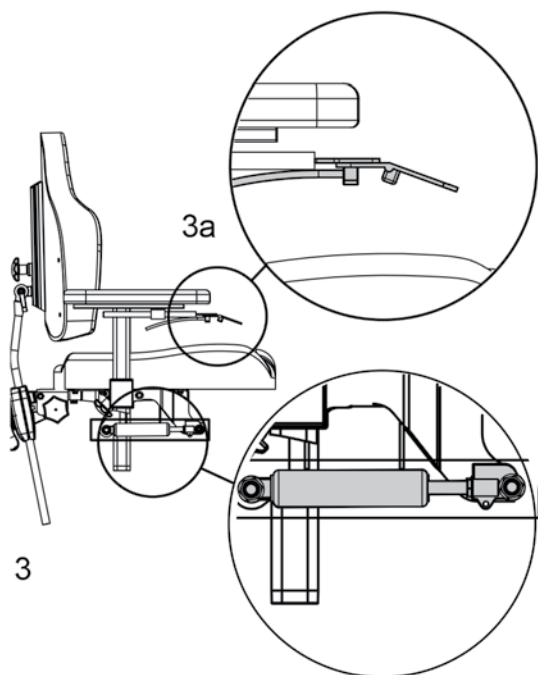
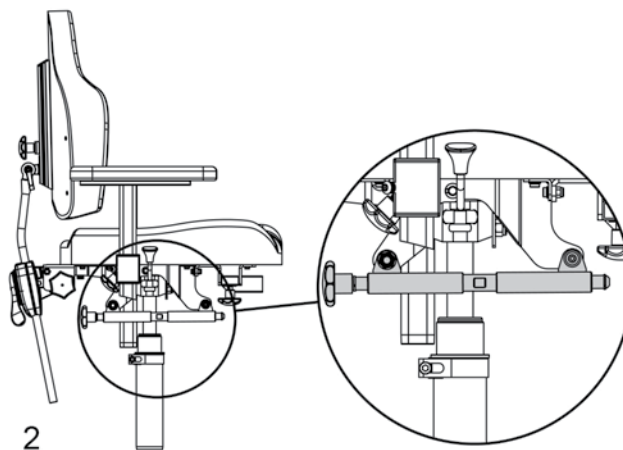
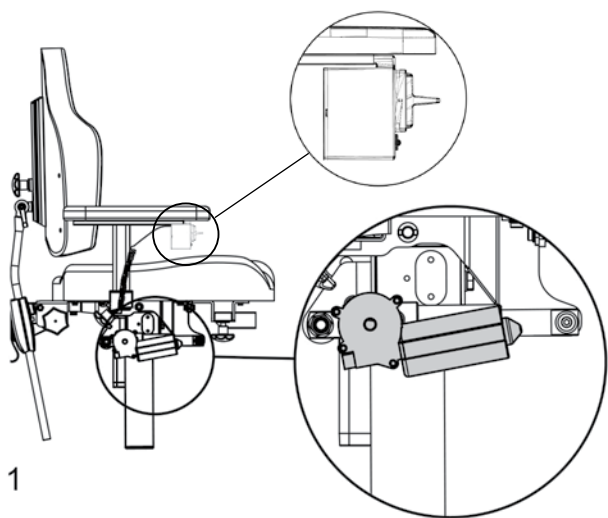
- 1) Front wheel
- 2) Foot ring
- 3) Parking, brake lever
- 4) Parking, foot brake
- 5) Chassis, flexbase
- 6) Parking Wire flexbase
- 7) Back wheel, braked
- 8) Brake bar
- 9) Clamping sleeve for actuator
- 10) Actuator gas/electrical



## SEAT TILT

The tilt can be adjusted if you have electronic tilt (1), crank (2), gas adjustment (3), or turnbuckle (4).

- 1) Electronic tilt is controlled via a rocker switch.
- 2) On chairs with a crank tilt, the seat tilt is adjusted by turning the knob.
- 3) Gas-controlled tilt. The seat tilt control is located under the armrest. The control lever can be moved from right to left side. To adjust the seat tilt, press the control up (3a), set to the desired angle, and release the control.
- 4) Turnbuckle tilt is adjusted using a spanner (size 17 mm).

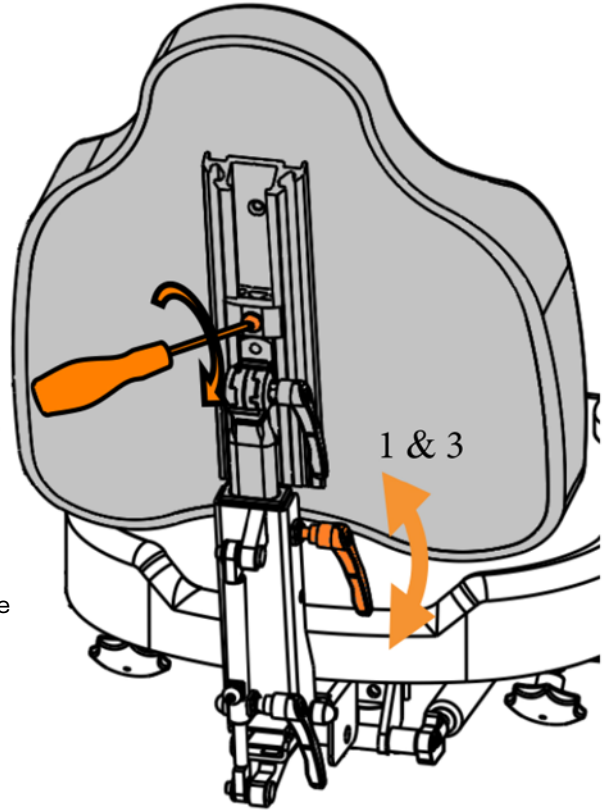
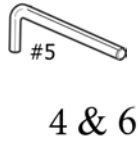




## BACK SUPPORT – HEIGHT MULTI-BACK

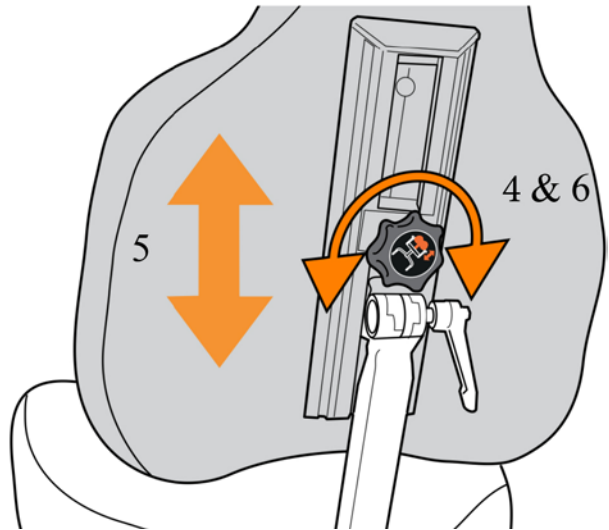
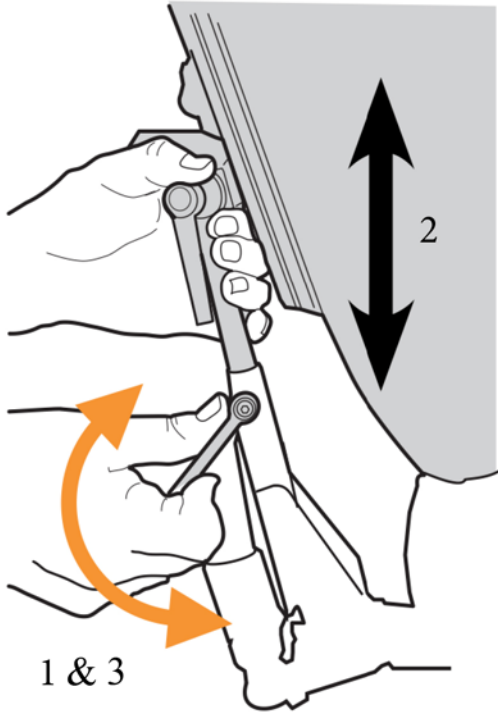
On the multi-back, you can adjust the height of the back support using both a lever and an adjustment screw in order to achieve the best level of comfort.

- 1) Loosen the lever by turning it anticlockwise a ½ turn.
- 2) Set the desired height on the back support.
- 3) Lock the lever by turning it clockwise a ½ turn.
- 4) Loosen the adjustment screw for raising the back on the rail.
- 5) Set the desired height on the back support.
- 6) Lock adjustment screw



**HEIGHT SETTING OF BACK SUPPORT**  
 Height setting of back support: loosen the knob. Set desired height. Turn the knob.

Loosen the knob/screw (3).  
 Set desired height. Tighten the knob/screw.



## BACK SUPPORT – ANGLE/MULTI-BACK

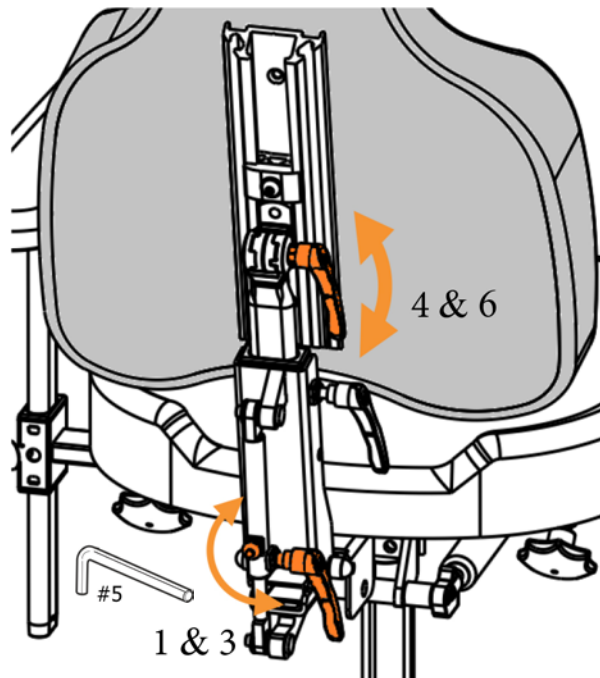
On the multi-back, you can adjust the back tilt and the back cushion individually in order to achieve the best level of comfort.

### Adjustable back angle

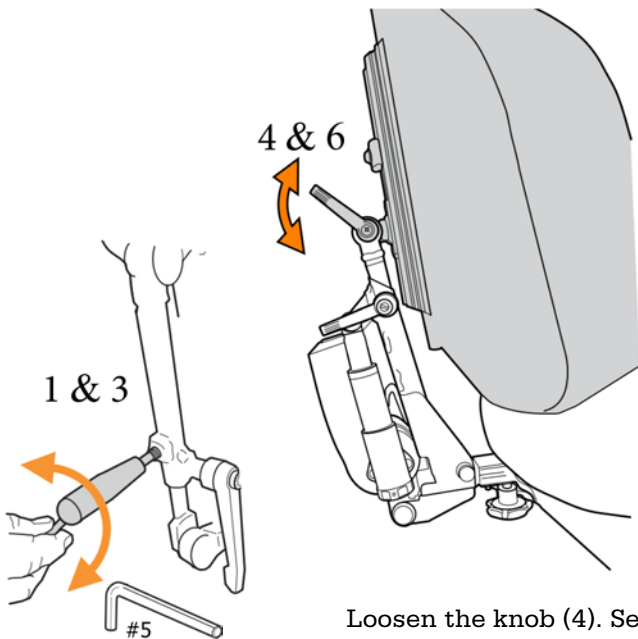
- 1) Loosen safety screw and lever to angle the whole back mechanism forwards or backwards.
- 2) Set the desired back angle on the back support.
- 3) Lock safety screw and lever.

### Back rest

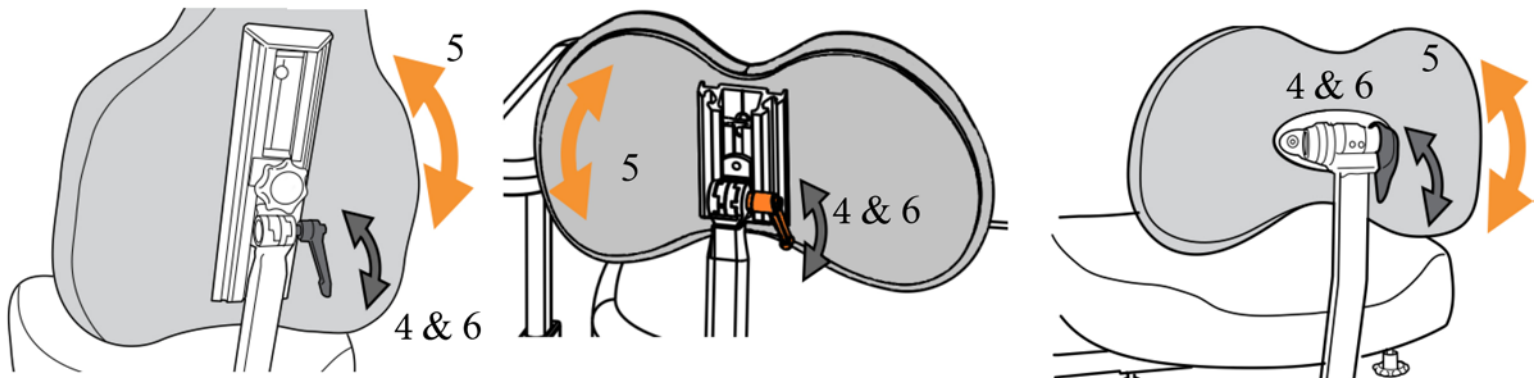
- 4) Loosen the lever by turning it anticlockwise a ½ turn.
- 5) Set the back support cushion to the desired angle.
- 6) Lock the lever by turning it clockwise a ½ turn.



**ANGLE ADJUSTMENT OF THE BACK**  
Loosen the knob & adjustment screw (1).  
Set desired angle on the back mechanism (2).  
Tighten the knob and the safety screw. (3)



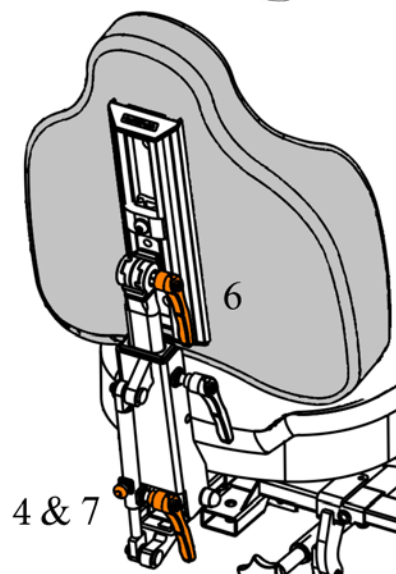
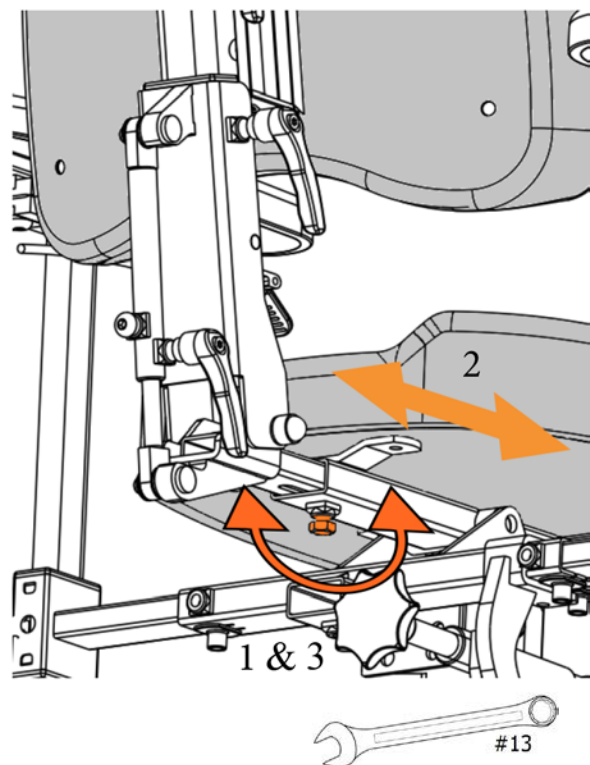
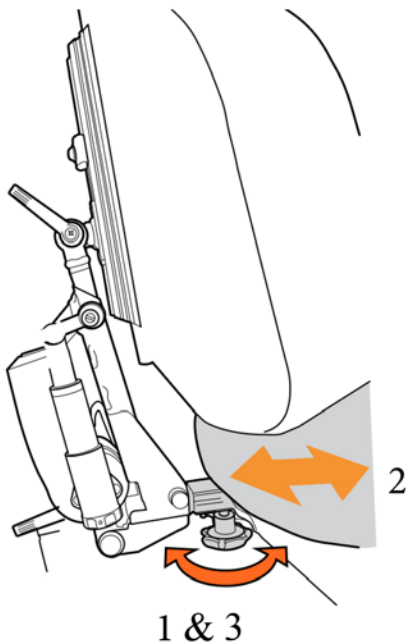
Loosen the knob (4). Set desired angle for the cushion (5). Tighten the knob/screw (6).



## BACK SUPPORT – SEAT DEPTH

The seat depth is adjusted using the back support. Set the desired seat depth by moving the back support backwards or forwards. Fine tuning of the seat depth can also be done with the help of the adjustable back angle.

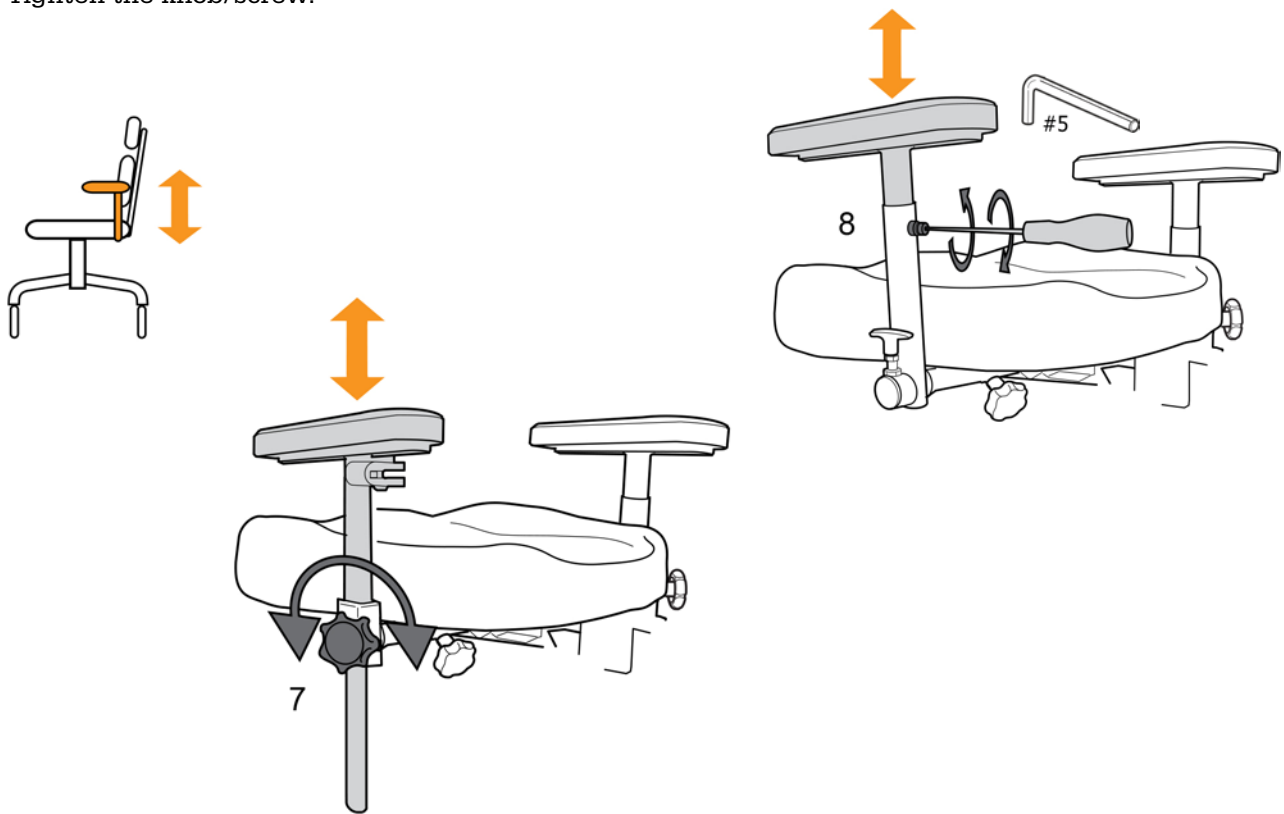
- 1) Loosen the locking screw/knob under the seat on the rear edge
- 2) Push the back mechanism in or out to the desired seat depth.
- 3) Tighten the locking screw/knob beneath.
- 4) For fine tuning the seat depth, loosen the safety screw and lever for adjusting the back angle.
- 5) Push the back angle forwards or backwards.
- 6) Then adjust the angle of the back cushion. Using the lever.
- 7) Tighten the lever and safety screw on the adjustable back angle.



## ARMREST – SETTINGS

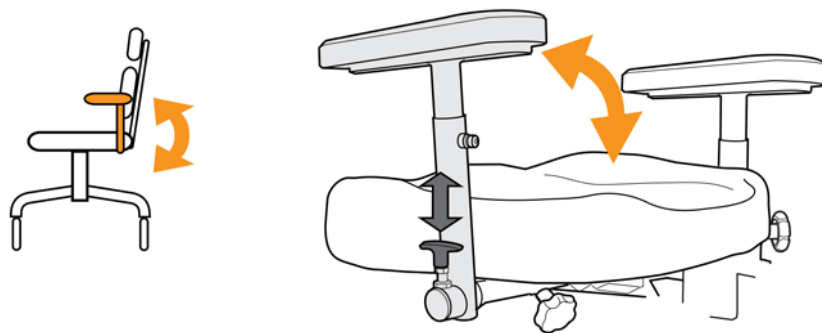
### HEIGHT ADJUSTMENT

Loosen the knob (7) or screw (8) and set the height wanted.  
Tighten the knob/screw.



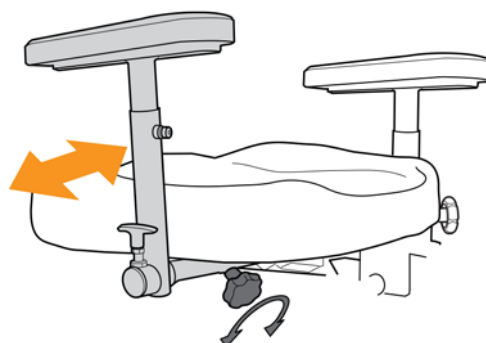
### FOLDING ARMREST

Pull the lever up, then angle the armrest backwards.



### WIDTH ADJUSTMENT, ARMREST

Turn the wheel and set the desired width.  
Tighten the wheel.



## PARKING/BRAKE

### 1) Lever brake:

Braking: Move the brake lever forwards until you hear a click. The rear wheels are now locked.  
Releasing the brake: Move the brake lever backwards until you hear a click. The rear wheels are now unlocked.

The brake lever can be easily moved from the right to left side with tools. (Allen key no. 5)

### 2) Wire brake:

The wire brake's movement is reversed.

Braking: Move the lever backwards. Rear or front wheels lock.

Releasing the brake: Move the lever forwards and the stool is unbraked.

### 3) Foot brake:

Press the front section of the brake pedal down. The rear wheels lock.

Releasing the brake: Press the rear section of the brake pedal down.

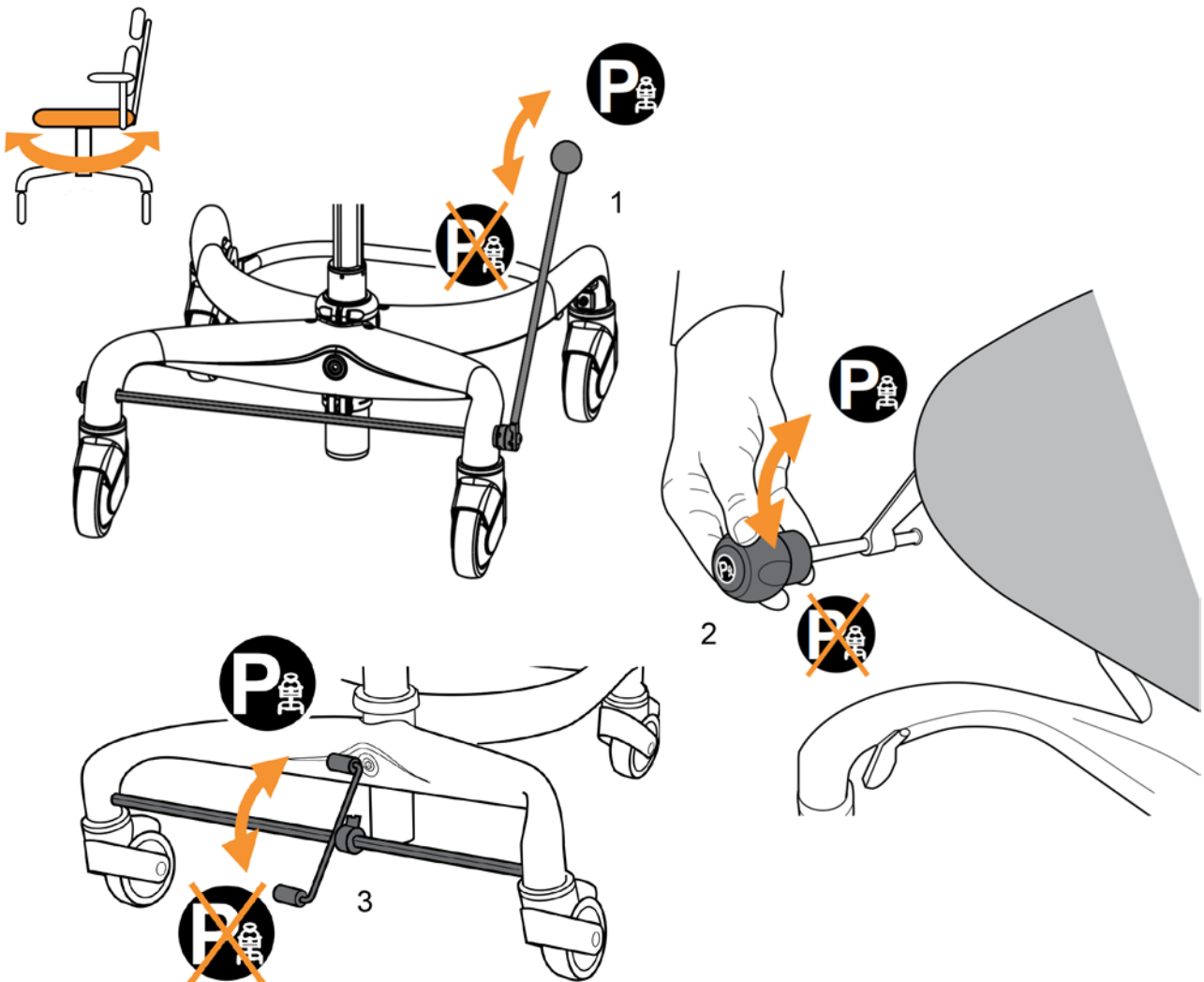
If reversed braking is required, you may fit the link hoops back-to-front. You then brake by pressing down on the rear part of the brake pedal, which will lock the rear wheels. Press the front part of the pedal to release the brakes.



### RISK OF INJURY!

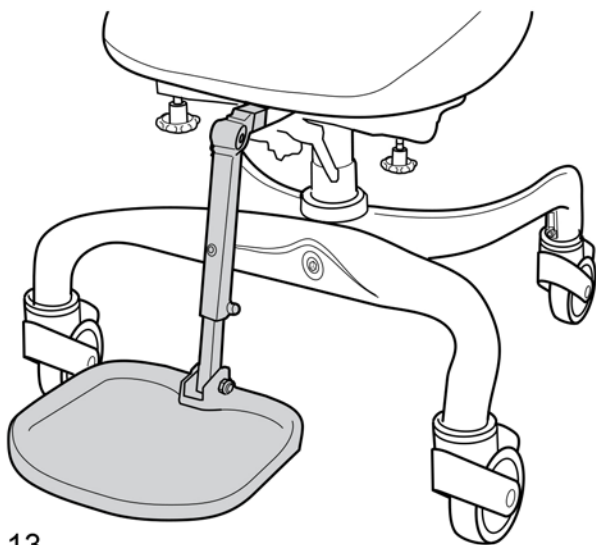
NOTE! Always put the chair's brakes on before moving to or from it.

Make sure there are no loose rugs or suchlike lying under the wheels that could impair the braking.



# FOOTREST

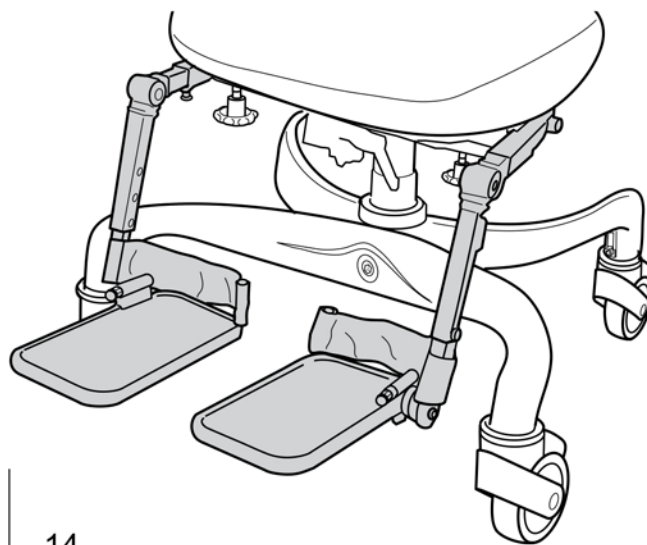
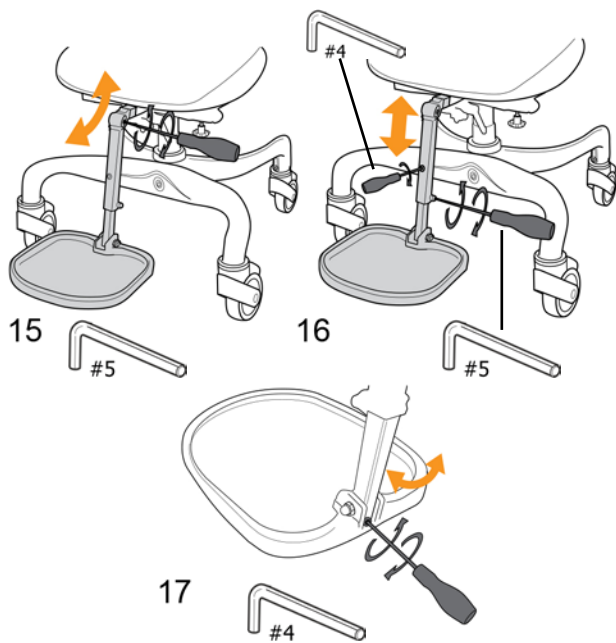
There are two versions of footrest: whole (13) and split (14). Available as accessory.



13

Settings:

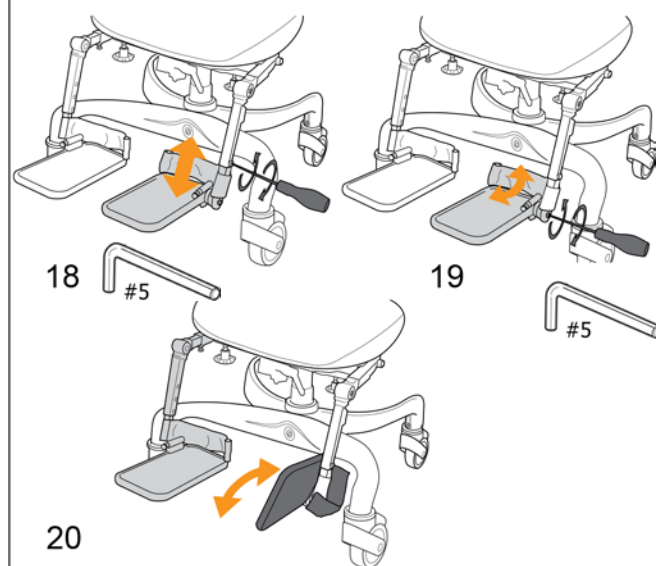
- 15) leg angle
- 16) height
- 17) angle on foot plate up



14

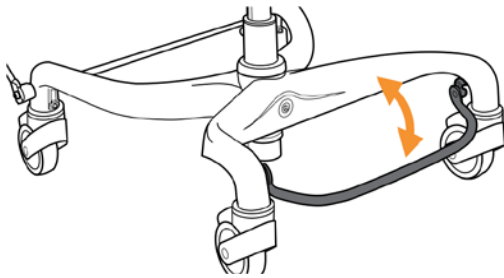
Settings:

- 18) height
- 19) foot angle
- 20) fold up

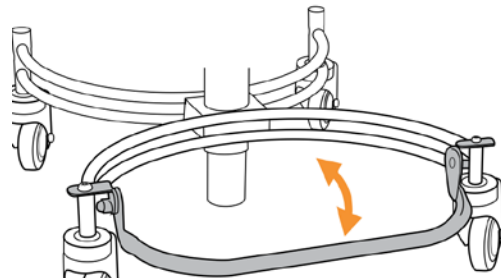


## FOOT RING

The foot ring can be folded up, making the chair easier to move.



6a



6b

---

## ROTATION

During rotation, the chair's brakes must be on.

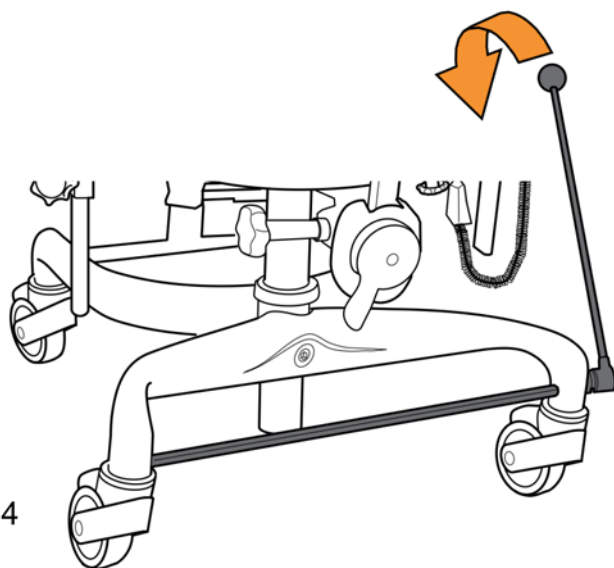
Move the locking lever (4) down (4) to brake the chair.

Move the locking lever (4) upwards to release the brake.

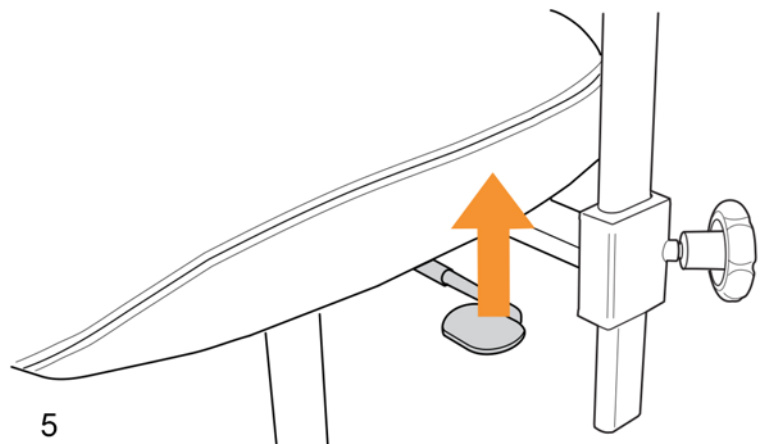
Push the rotation lever (5) upwards, the seat can now be rotated 180 degrees.

The seat can be locked in five fixed positions.

Move the rotation lever downwards to lock in the correct position.



4



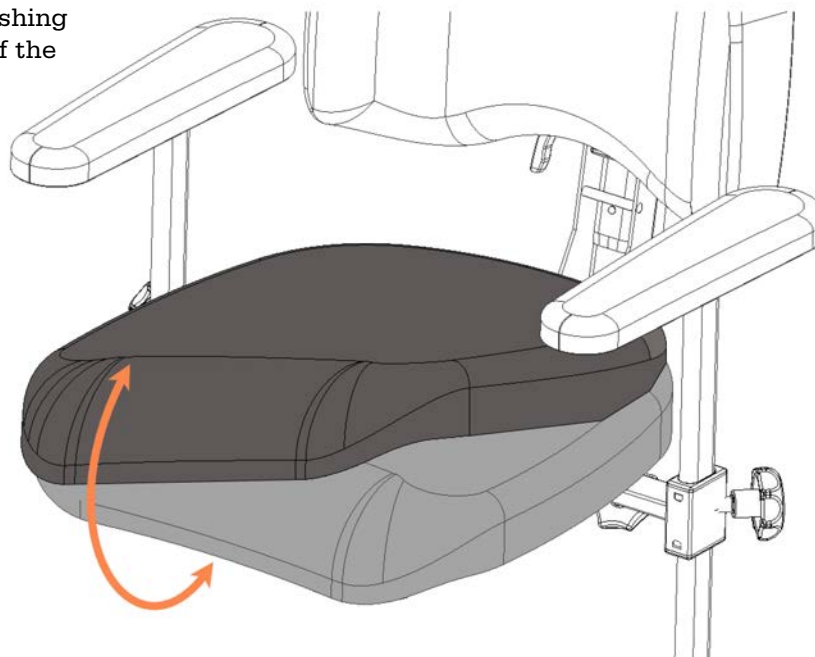
5

## SEAT – ACCESSORIES

---

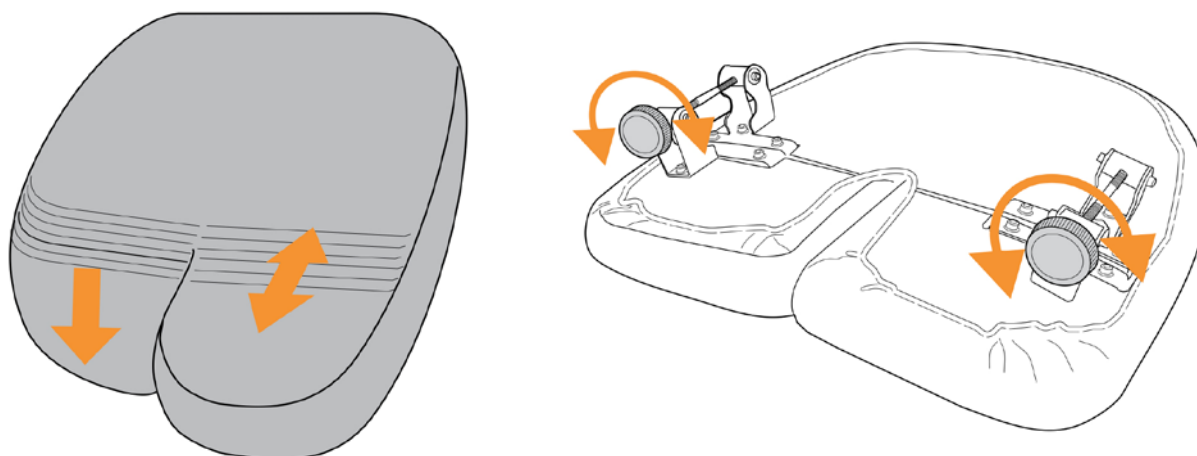
### COVER

Our covers for both seat and back are easy to remove and put on. The seat cover is provided with incontinence protection. Wash according to the washing instruction on the inside of the cover.



### COXITSITS

Raising and lowering Coxitsits is done individually using adjustment knobs.





## CHARGING THE BATTERY

To obtain the battery's full performance for as long as possible, it is important to charge it regularly. Usually, it is sufficient to charge the battery 1-2 times a week, preferable during daytime when the chair is not in use.

Do not interrupt the charging process before it is finished. Charging can be done in the home without problem.

If the chair is to be kept in long term storage, the battery should be charged approximately once every 4 weeks to prevent it discharging to the critical level where the charger no longer starts charging.

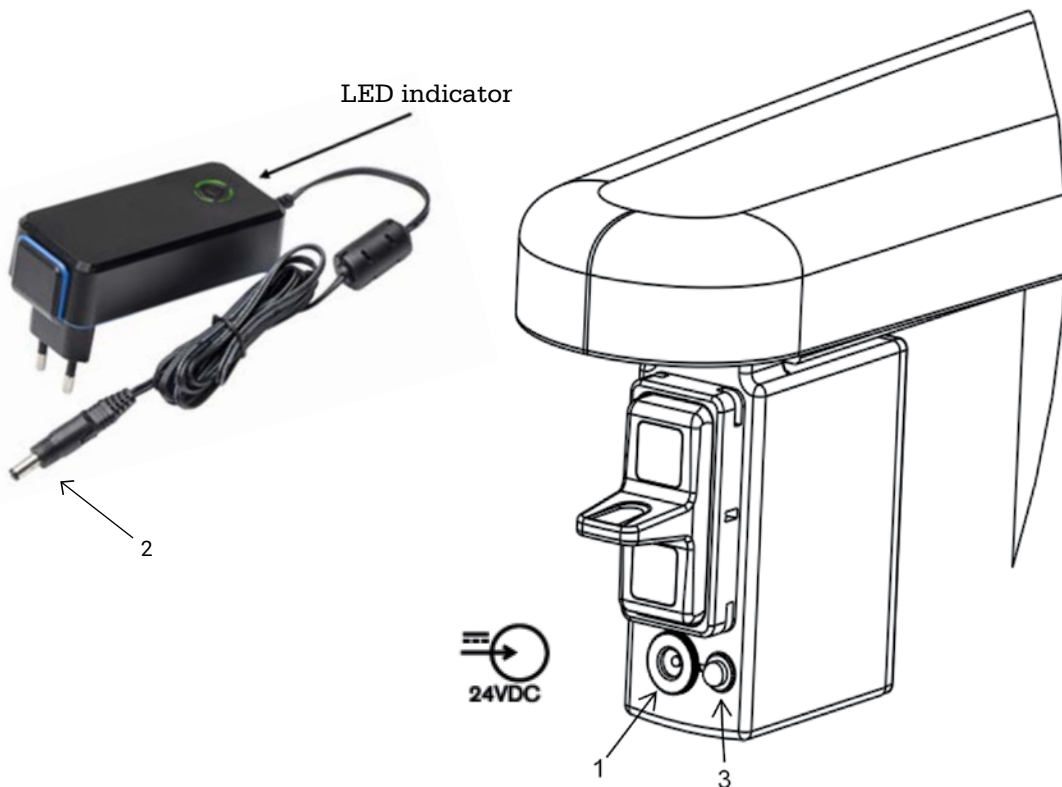


Do not leave the chair charging for long periods of time.  
Do not leave the charging plug (2) in the socket (3) once charging is completed.



**Important!** On seat configurations that feature electric brakes, electric seat tilt adjustment, and electric back support tilt adjustment, it is particularly important to charge the batteries on a daily basis in order to ensure that you can always safely get in and out of the product.

- 1) The LED (3) comes on whilst the chair is in use to indicate that charging is required. When the LED (3) comes on and remains illuminated without any electrical function being used, the chair must be charged immediately.
- 2) Connect the charger (2) plug to the chair charging port (1). The LED on the charger will be green.
- 3) Connect the charger to a 220V wall outlet. The LED on the charger will change to a constant yellow light.
- 4) Once charging is complete, the LED will change to a constant green light.
- 5) Disconnect the charger from the wall outlet and then from the chair.



## TECHNICAL INFORMATION Work Chair

### Work Chair SitRite/Forma/Junior

Data	Facts
Class	Work Chair – ISO 180903
Weight, electrical	31 kg
Weight, gas	23 kg
User weight	80-140 kg depending on seat system
Battery	24V

## ENVIRONMENTAL CONDITIONS Work Chair

Conditions	Temperature	Humidity	Atmospheric pressure
Normal use	10°C - 40°C	10% - 90% RH	50 kPa - 106 kPa
Storage & transport	-5°C - 40°C	10% - 90% RH	50 kPa - 106 kPa

## TECHNICAL INFORMATION Chassis

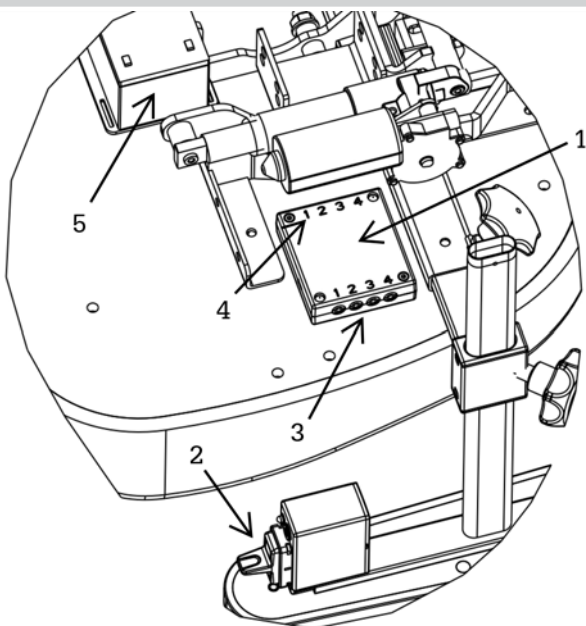
### Flexbase

Data	Facts
Chassis, width	58 cm
Chassis, length	60 cm
Brake	Chassis mounted/seat mounted
Wheel diameter	100 mm

## TECHNICAL INFORMATION Electronics

### Flexbase

Data	Facts
Input voltage	100-240VAC/50-60Hz/ max. 0.35 A
Power consumption	1.0 Amp
Voltage	24 VDC
Electric shock protection	Class 1 Equipment
Ingress Protection Code	IPX0
Work cycle	Intermittent operation MAX 2 minutes ON, 18 Minutes OFF



### Electronics

- 1) Main unit
- 2) Control unit
- 3) Control unit socket
- 4) Actuator's socket
- 5) Battery

## TECHNICAL INFORMATION Seat

Data	Forma	SitRite
	Facts	Facts
Seat (width x depth)	40x40, 40x45, 45x45, 50x50 cm	40x40, 40x45, 45x45, 45x50, 50x50 cm
Seat width (between the armrests)	38-56 cm	38-56 cm
Seat depth	40-59cm	40-59cm
Seat height, Gas (height to underneath the seat)*	37-52, 43-63 cm	37-52, 43-63 cm
Seat height, Electrical (height to underneath the seat)*	37-55, 43-68 cm	37-55, 43-68 cm
Seat tilt electrical, gas, crank & turnbuckle	-22° to 15°	-22° to 15°
Back support, height, adjustable*	23-58, 37-62 cm	23-58, 37-62 cm
Back, (width x height)*	37x23, 37x48, 37x46 cm	37x43, 42x45, 47x47 cm
Adjustable back angle	30°	30°
Upholstery	Black Atlantic	Black Atlantic
Armrest height, Adjustable	0-26 cm	0-26 cm
Armrest, platform	30x8x6 cm	30x8x6 cm
Seat Coxit (width x depth)	45x45, 50x50 cm	45x45, 50x50 cm
Rotation*	180°, Lockable	180°, Lockable

\* Varies according to model

\*\*\*Classic Back, compatible with both models.

Data	SitRite Junior
	Facts
Seat (width x depth)*	29x32, 32x36, 36x40, 36x45, 40x40, 40x45 cm **ABC 32x36, 36x40 cm
Seat width (between the armrests)	27-52 cm
Seat depth	32-45 cm
Seat height, gas (height to underneath the seat)*	41-56, 48-68 cm
Seat height, electrical (height to underneath the seat)*	41-58, 45-70 cm
Seat tilt electrical & gas	-20° to 12°
Seat tilt crank & turnbuckle	-16 to 20°
Back support, height adjustable*	37-54 cm
Back, (width x height)*	30x37, 37x43 cm
Adjustable back angle	30°
Upholstery	Black Atlantic
Armrest, height adjustable	0-26 cm
Armrest plate, child	25x8x3

\* Depending on model

\*\* A seat other than SitRite

*Eurovema*